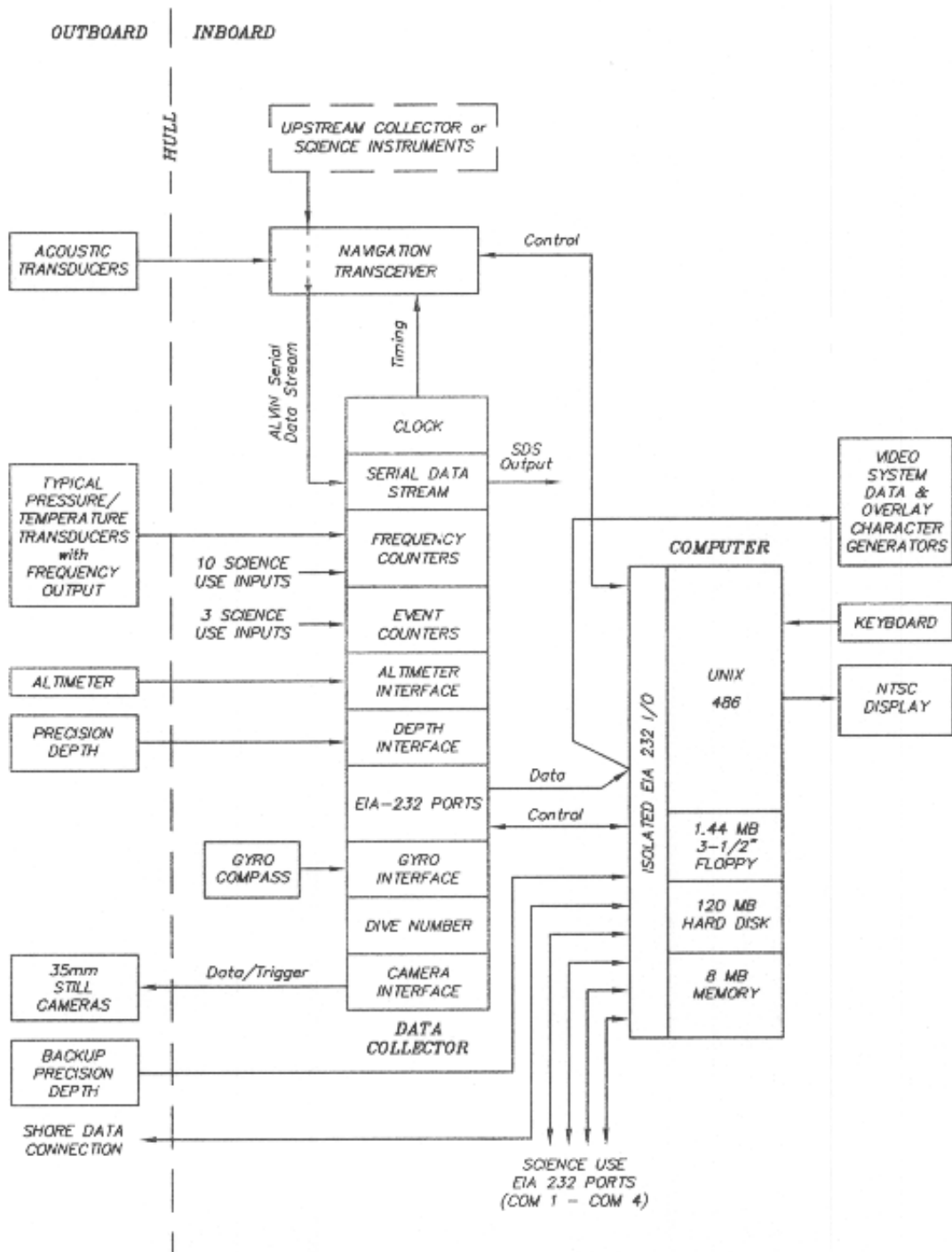


# APPENDIX VIII

## Current Data/Video Systems and Options

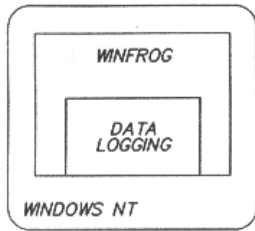
- [Current Data System](#)
- [Data System Options](#)
- [Current Video System](#)
- [Video System Options](#)
- [Manned/Unmanned Data System Consolidation](#)

# CURRENT DATA SYSTEM

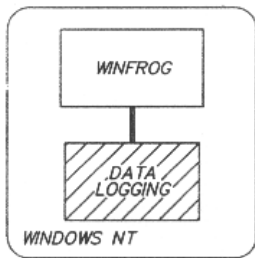


## DATA SYSTEM OPTIONS

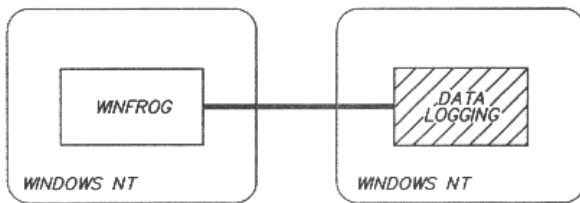
①



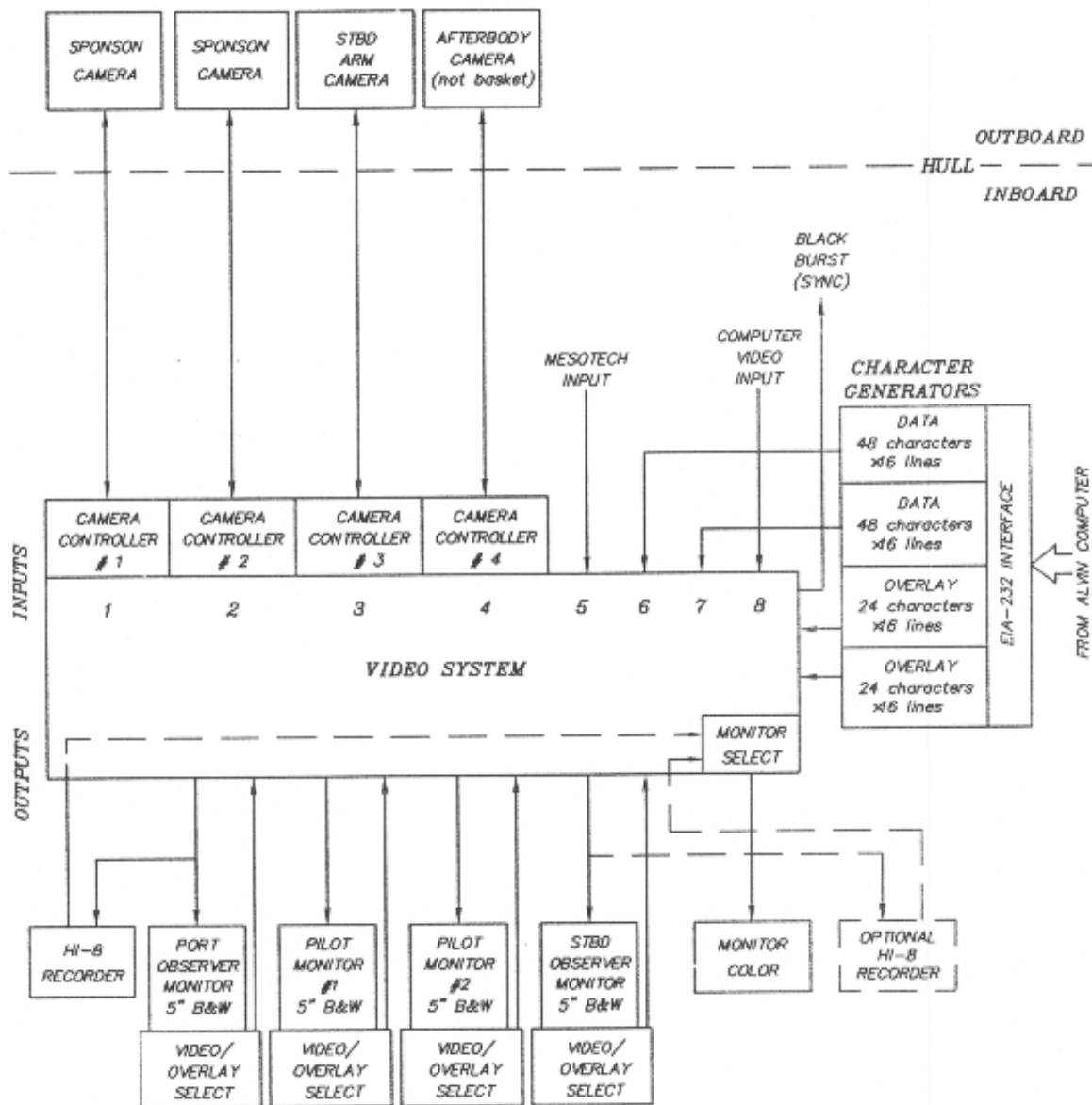
②



③

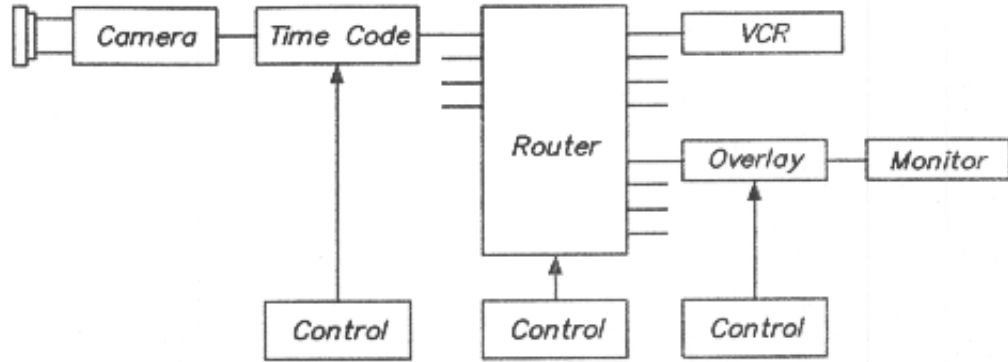


# CURRENT VIDEO SYSTEM

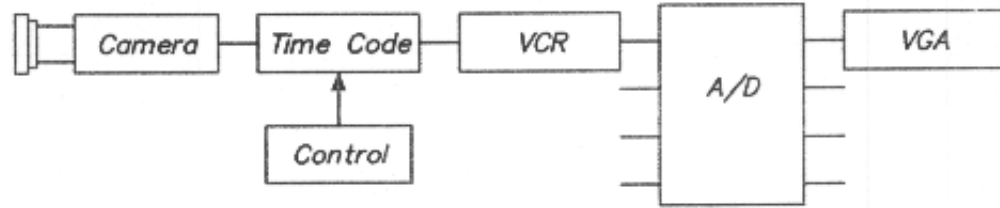


# VIDEO SYSTEM OPTIONS

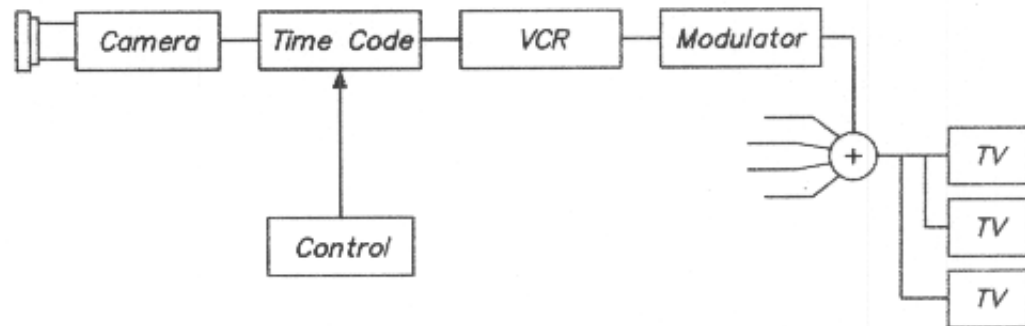
①



②



③



# MANNED/UNMANNED DATA SYSTEM CONSOLIDATION

