

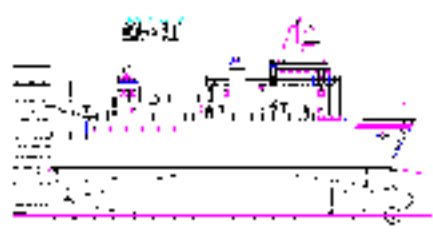


## Program Scope

- **Program Description- AGOR 26 - SWATH ORV**
  - Operated by the University of Hawaii
  - Phase II - Design, Construct, Inst&Deliver Contract Award 28 October 1999
- **Industry Team**
  - Lockheed Martin, Baltimore - PM, Hydrodynamic, SE&I, I&E, IPDE
  - Atlantic Marine, Inc. - Construction, I&E
  - Guido Parla and Associates - Detail Design
- **Deliverables:**
  - Basic - \$413 M w/ 9 Month Warranty
  - Options (13) - \$19 M (Equipment)
  - Options (2) - Spares, Training and P&A
- **Delivery of Completed Vessel - 23 MACA**



## Principal Characteristics



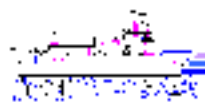
- Dimensions - 182 x 88 feet
- Draft - 25 feet
- Displacement - 2500 tons
- Speed - 15 kts (12 sustained)
- Operational in Sea State 6

- Endurance - 50 days
- Accommodation - 48 persons (30 scientists)
- Oceanographic Research
  - Bathymetry Profiling Sonar
  - Surface Keypoint Tracking Measurement
  - Towing & Handling



## Summary Status

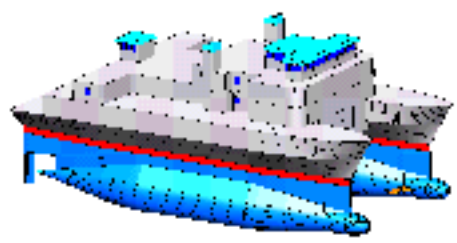
- 804 Process, Government - Industry IPT
  - Structural Load Methodology Approved by ABS
  - Weight Plan, and Noise Control Plan Drafted and in Review
  - Model Vendor and Towing Basin Selected - Resistance, powering control  
fin - sizing and effectiveness, natural period for seaheaving.
    - Model being built in Hawaii
    - Towing scheduled for April 00
  - Propeller - Bid Johnson, MS
  - Hull optimized for resistance, stability and fabrication
  - General arrangement defined and approved
  - Baseline noise predictions performed

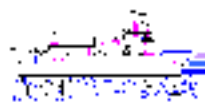


### General Description

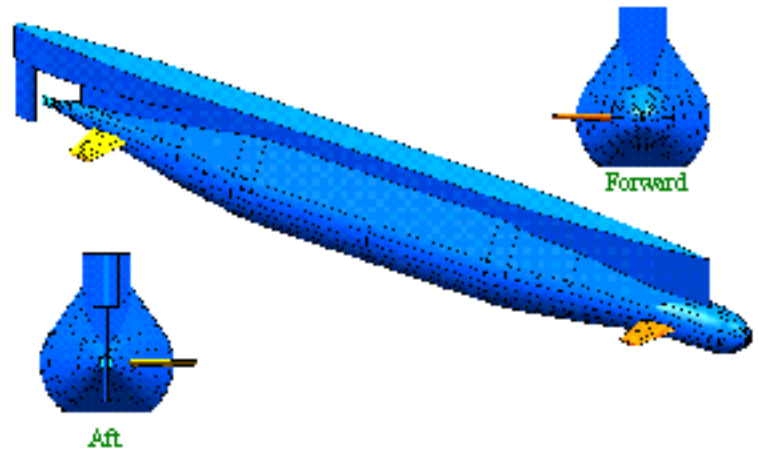
Length Overall - 185'-2 1/4"  
Waterline Length - 172'-0"  
Maximum Breadth - 32'-0"

Full Load Draft - 25'  
Accommodations - 48 Passengers  
Displacement - 2535 Lt.



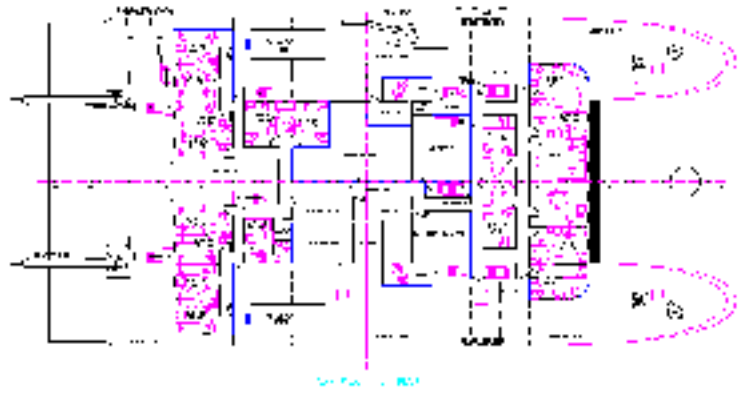


AGOR 26 Hull Below 2.5 Ft. Water Line





01 Deck - 47'-5" ABL

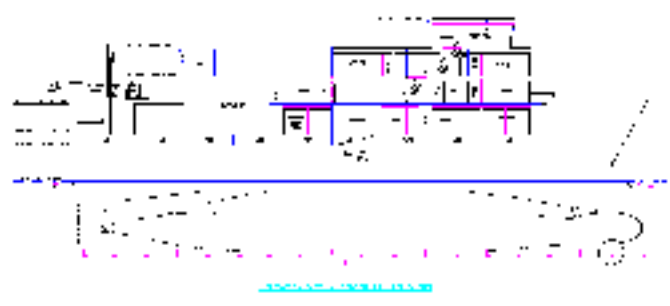


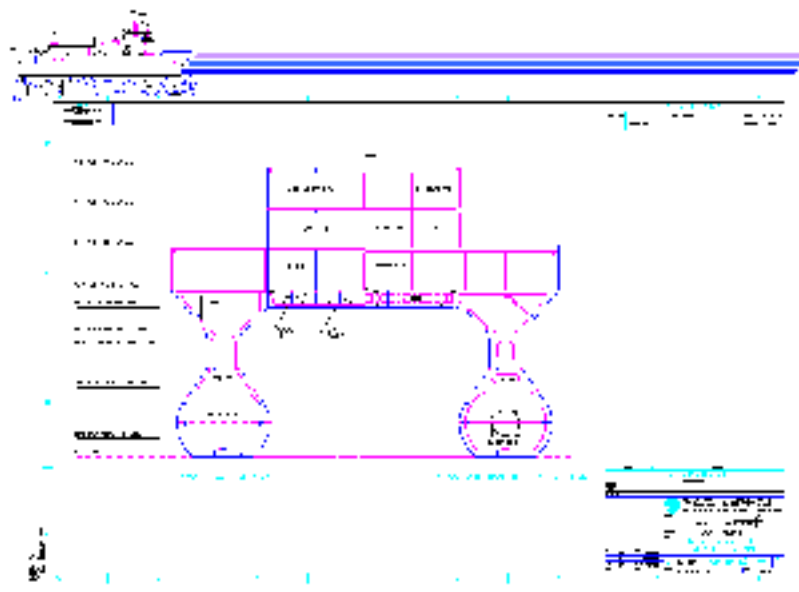






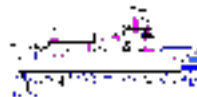
# 2021/2022











## Atlantic Marine Fact Sheet

- Started in 1964
- Two miles from the Atlantic Ocean
- River depth of 38 feet
- 81 acres (shared with Atlantic Dry Dock)
- 300-400 employees (non-union)



# PHASE II SCHEDULE

