

Development of Open Data Sharing Practices and Workflows for Schmidt Ocean Institute and *R/V Falkor*



Vision and Mission

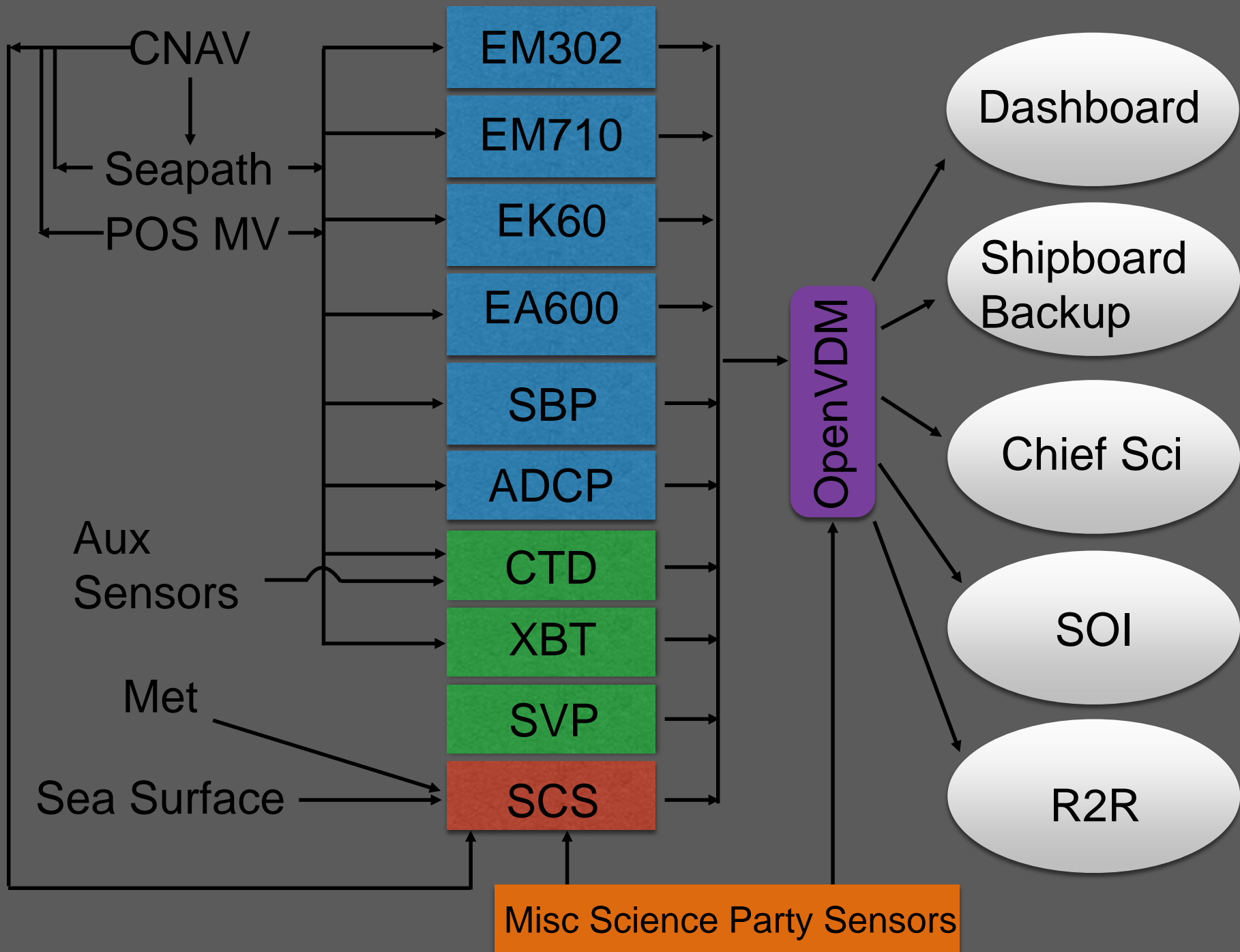


Vision: The world's oceans understood through technological advancement, intelligent observation, and open sharing of information.

Mission: We combine advanced science with state-of-the-art technology

- to achieve lasting results in ocean research,
- to catalyze open sharing of the information,
- and to communicate this knowledge to audiences around the world.





Open Sharing of Information

Data Sharing - It takes a village!

- Partnership with Capable Solutions to utilize Open Vessel Data Management Interface on board *Falkor*

The screenshot displays the 'Cruise Configuration' web interface, which is used for managing data transfer and collection systems on board the Falkor. The interface is organized into several sections:

- OpenVDM Status:** Shows the 'System Status' as 'ON'. It includes a 'Data Transfer Status' section with a grid of icons for various sensors (e.g., ADCP, EK60, EM710, USBL, XBT, SCS, Cruise Data To Shore, Cruise Data To Shipboard Backup) and an 'OpenVDM Process Status' section with icons for 'EndOfCruise', 'StartOfCruise', 'UpdateMDSummary', 'UpdateRSSFeed', and 'UpdateDashboard'.
- OpenVDM Links:** Provides links for 'Cruise Configuration', 'Ship-To-Shore Configuration', 'Vessel Configuration', and 'Data Via'.
- Set the Cruise Variables:** Allows setting the 'Current Cruise ID' (FK141109) and includes buttons for 'Setup New Cruise' and 'Finalize Current Cruise'.
- Extra Directories:** Lists directories for 'Cruise Products' (EM302 Processed, EM710 Processed) and 'Documents' (Docs), with options to 'PERMANENTLY REMOVE this directory'.
- Collection Systems:** Features a list of checkboxes to enable transfers for various sensors (ADCP, EA600, EK60, EM302) and a 'Warehouse Directory' section with fields for 'Local Directory', 'Include List', and 'Exclude List'. It also includes 'Test Config', 'Run Transfer', and 'Stop Transfer' buttons.

Open Sharing of Information

Data Sharing - It takes a village!

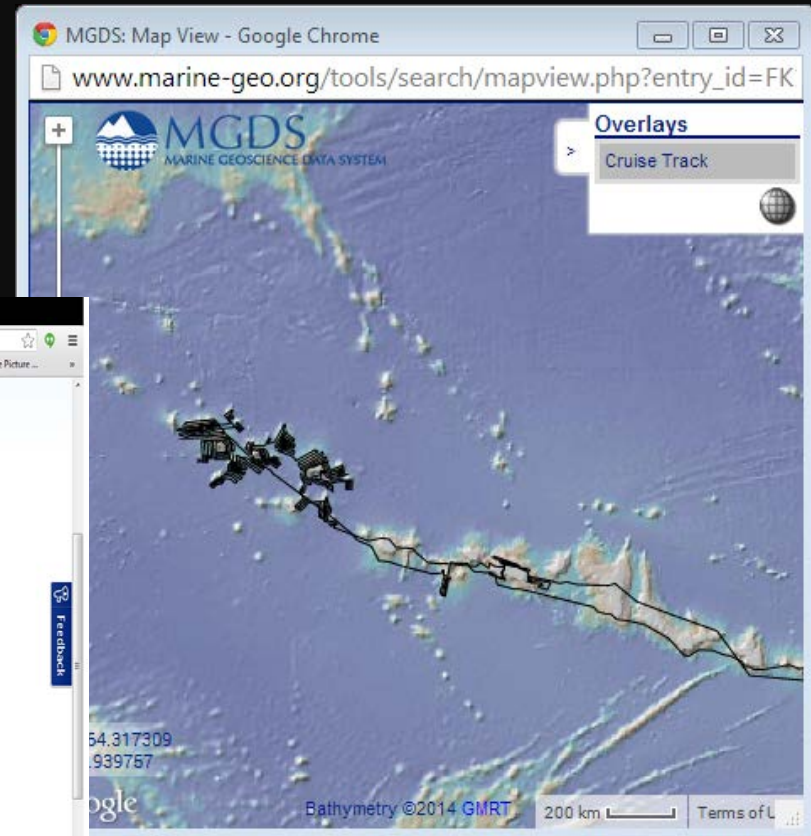
- Partnership with R2R and MGDS to curate, publish and archive marine data acquired by *R/V Falkor*

The screenshot shows the MGDS search results page for the R/V Falkor cruise. The page is titled "www.marine-geo.org/tools/search/entry.php?id=FK140307". It lists the following personnel:

- Smith, John R. SOEST** - Co-Chief Scientist
- Boston, Brian SOEST** - Co-Principal Investigator
- Miller, Joyce SOEST** - Co-Principal Investigator
- Trec, Jonathan SOEST** - Co-Principal Investigator

The "Data Sets" section is expanded to show "Sensor Data". The table below lists the data sets:

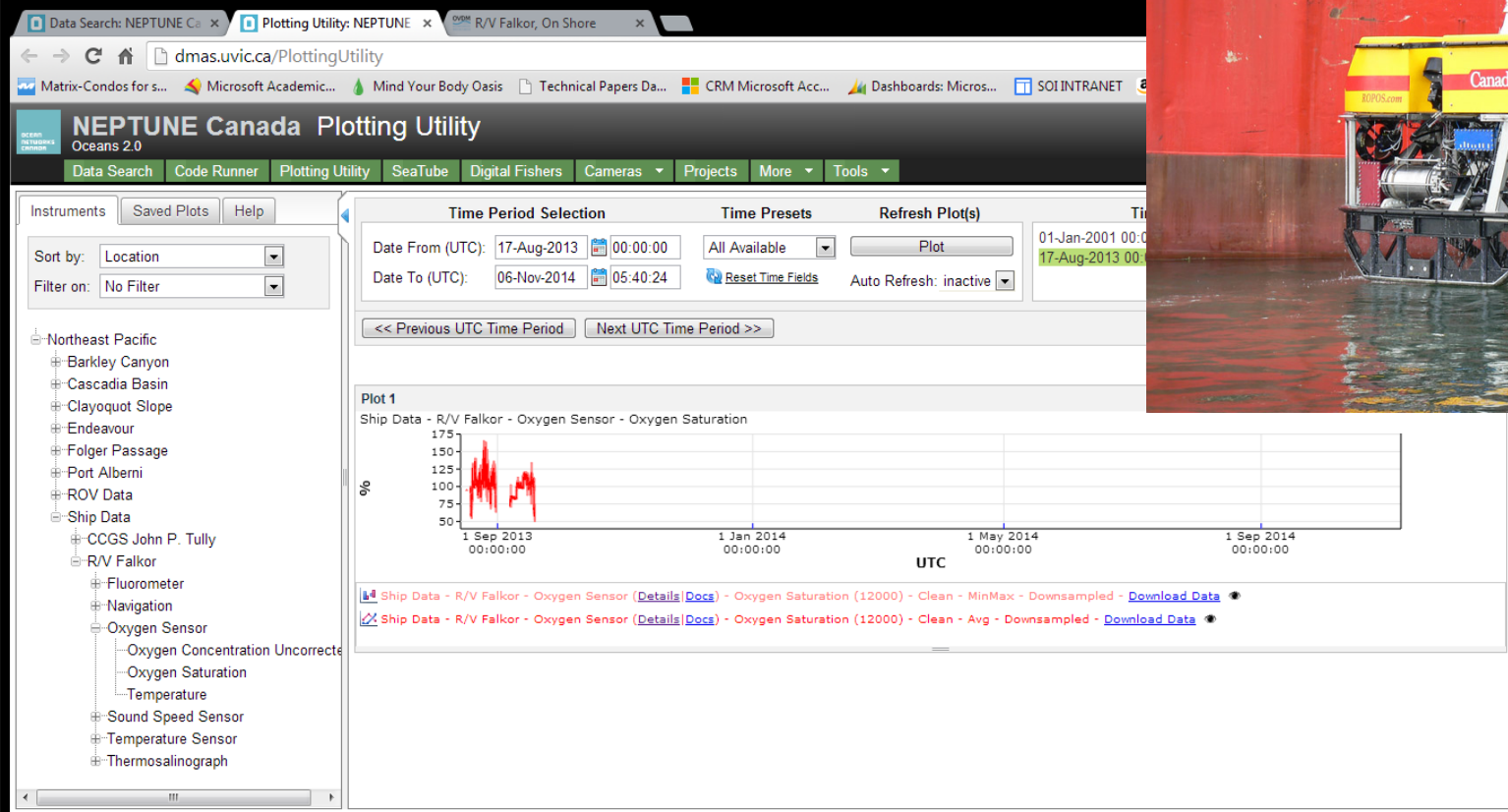
Data Sets	Device	Repository	Personnel
Backscatter Acoustic, Bathymetry Swath (Swath)	Sonar Multibeam	MGDS	Kelley, SOEST Christopher Smith, John R. SOEST
Bathymetry (Grid Image)	Sonar Multibeam	MGDS	Kelley, SOEST Christopher Smith, John R. SOEST
Documentation	Sonar Multibeam	MGDS	Kelley, SOEST Christopher Smith, John R. SOEST
Sidescan (Grid Image, Image Geo)	Sonar Multibeam	MGDS	Kelley, SOEST Christopher Smith, John R. SOEST



Open Sharing of Information

Data Sharing - It takes a village!

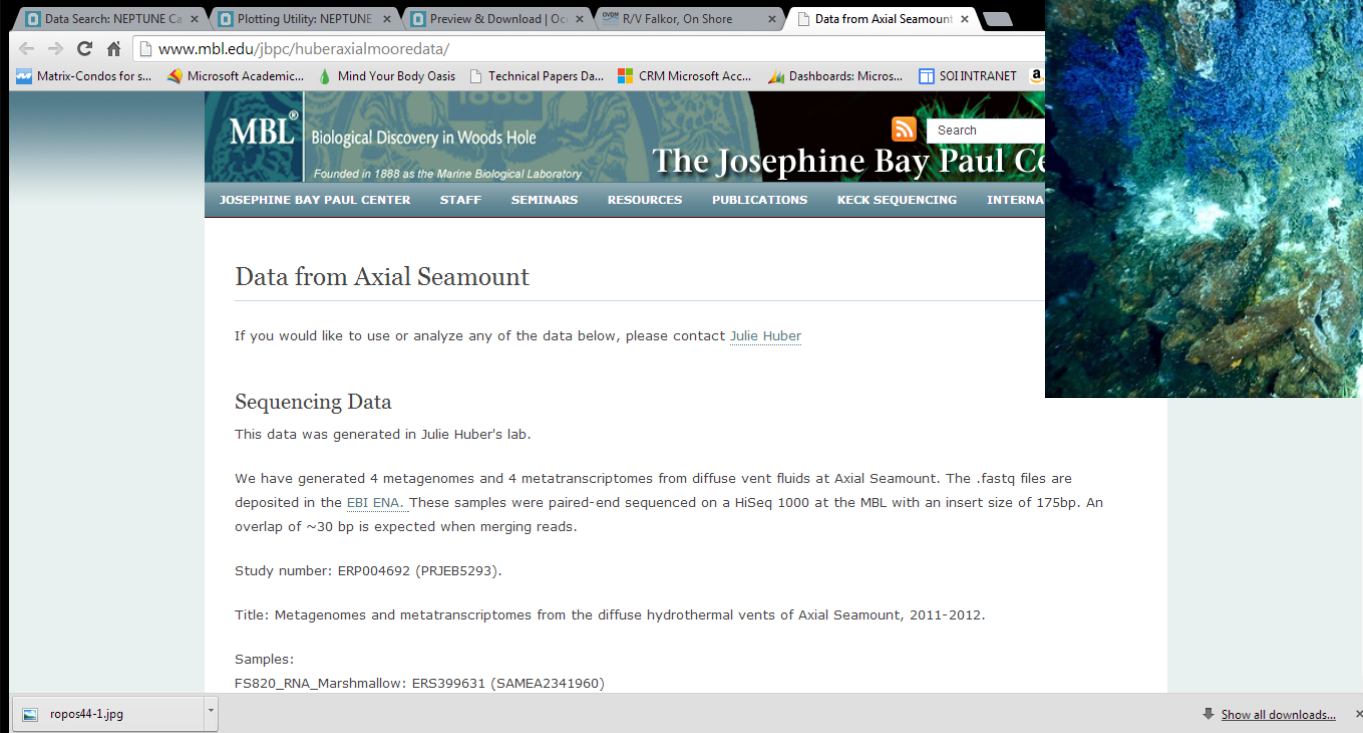
- Ocean Networks Canada



Open Sharing of Information

Data Sharing takes a village!

- Scientist's personal websites



The screenshot shows a web browser window with the URL www.mbl.edu/jbpc/huberaxialmooredata/. The page header includes the MBL logo and the text "Biological Discovery in Woods Hole" and "The Josephine Bay Paul Center". The main content area is titled "Data from Axial Seamount" and contains the following text:

If you would like to use or analyze any of the data below, please contact [Julie Huber](#)

Sequencing Data

This data was generated in Julie Huber's lab.

We have generated 4 metagenomes and 4 metatranscriptomes from diffuse vent fluids at Axial Seamount. The .fastq files are deposited in the EBI ENA. These samples were paired-end sequenced on a HiSeq 1000 at the MBL with an insert size of 175bp. An overlap of ~30 bp is expected when merging reads.

Study number: ERP004692 (PRJEB5293).

Title: Metagenomes and metatranscriptomes from the diffuse hydrothermal vents of Axial Seamount, 2011-2012.

Samples:
FS820_RNA_Marshmallow: ERS399631 (SAMEA2341960)

The browser's download bar at the bottom shows a file named "ropos44-1.jpg" and a "Show all downloads..." button.



Open Sharing of Information

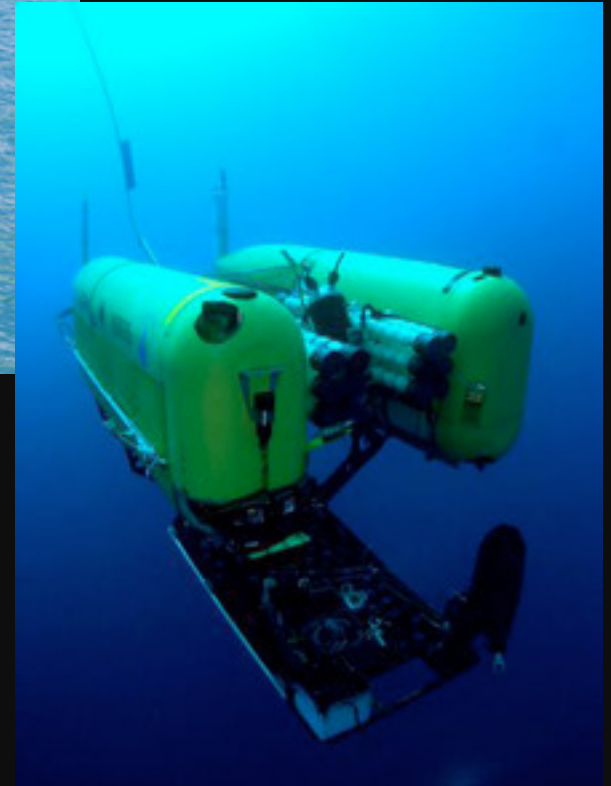
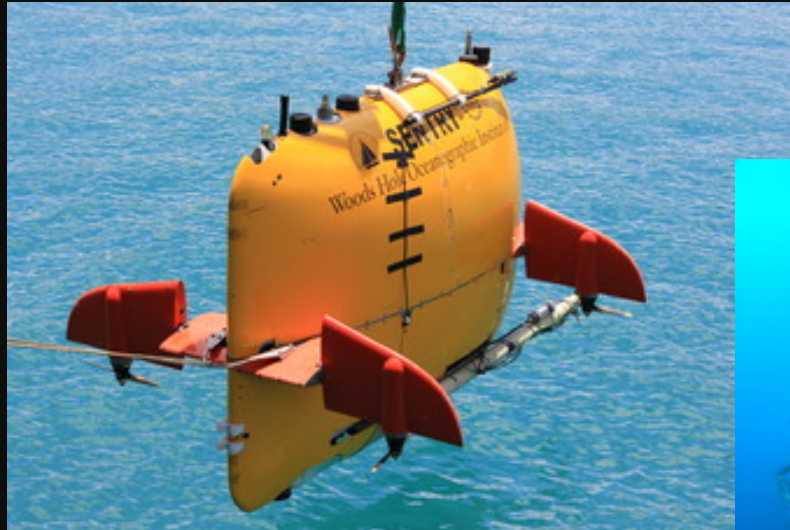
Challenges

- Vehicle

- Sensors
- Samples

- Video

- How to manage in a searchable library?
- Vicki Ferrini – Proposed Pilot Project



Schmidt Ocean Institute

You are posting, commenting, and liking as Schmidt Ocean Institute — Change to Carlie Sandra Wiener

Page Activity 28 Insights Settings Build Audience Help

Schmidt Ocean Institute
Ocean

Like Follow Message

Timeline About Photos Reviews More

PEOPLE

1,584 likes
5 visits

Mateusz Wróblewski, Nathan Cunningham and 8 others like this.

Promote Your Page
Reach up to 390,000 people near Palo Alto

Promote Page

Mildred invited you to like this Page

Accept your friend's invite to get updates from this Page. Like Page

Gabi Weiss and 9 other friends like this.

Status Photo / Video Offer, Event +

What have you been up to?

Schmidt Ocean Institute
Posted by Carlie Sandra Wiener (?) · August 24

Check out our awesome Falkor crew installing the new POS MV (position and

THIS WEEK

10 Page Likes

661 Post Reach

UNREAD

27 Notifications

1 Message

Recent

2014

2013

2012

2011

2010



Advancing understanding of the world's oceans through innovative technologies, intelligent observation, and open sharing of information.

SCHMIDT OCEAN INSTITUTE

CRUISES PROJECTS FALKOR PRODUCTS ABOUT

OASES 2013:
HYDROTHERMAL EXPLORATION
OF THE MID-CAYMAN RISE
WITH HROV NEREUS
May 30 - June 30

LATEST STORIES

ANNOUNCEMENTS: VIEW ALL

Pre-Proposals Invited for Oceanographic Research

Schmidt Ocean Institute Expressions of Interest in collaborative research to be on R/V Falkor in 2016. The target region of scientific operations will be determined based on the review of the Expressions of Interest received.

Hawaii Research Symposium

On November 1st and 2nd, Schmidt Ocean Institute will be holding its first research symposium at the Royal Hawaiian in Honolulu. Our theme will be: "Accelerating the Pace of Ocean Science Through Technological Advancement and Open Sharing of Information."

Ocean Sciences 2014

Schmidt Ocean Institute will be at the 2014 Ocean Science Meeting in Honolulu, Hawaii. If you attend, please visit our booth and check back here later for details on touring R/V Falkor during the meeting.

Silver Lining

SEPTEMBER 29, 2013

Though nobody would wish for days on end of weather too rough for ROV dives, there were some benefits to the downtime.

SUBSCRIBE

email address

Subscribe

TWITTER

Schmidt Ocean @SchmidtOcean 11 Mar

Falkor has made it to the Papahānaumokuākea Marine National Monument and all systems are go! bit.ly/1m1Zy0

@SchmidtOcean

Schmidt Ocean @SchmidtOcean 7 Mar

The cruise to the Papahānaumokuākea Marine National Monument is about to begin. Feed into blog here: schmidtocean.org/story/show/23

@SchmidtOcean

logand

Tweet to @SchmidtOcean

Home Search Site Map Logged in as hunter (log out)

© 2013 Schmidt Ocean Institute. All rights reserved. Questions or comments: info@schmidtocean.org

Questions?

