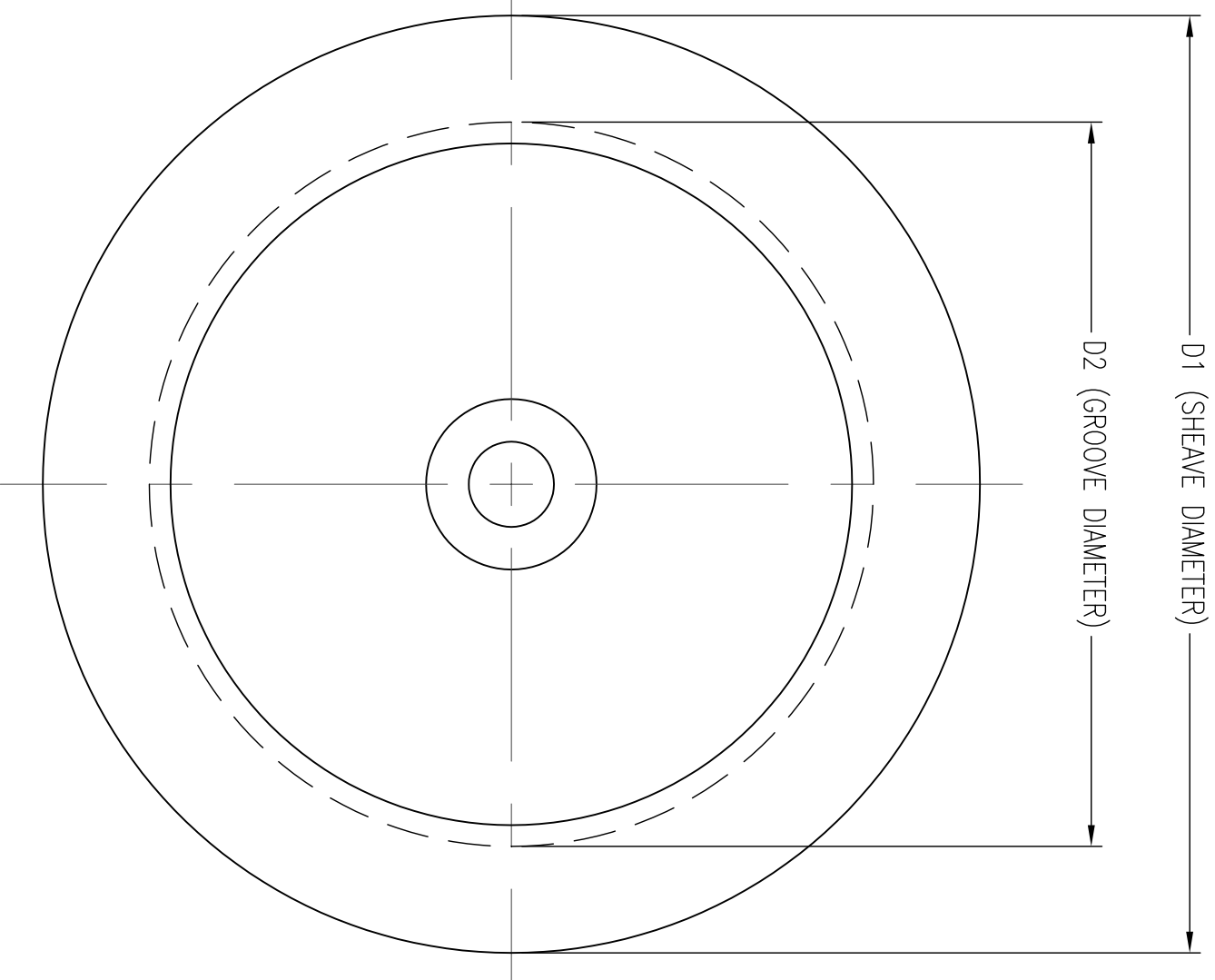
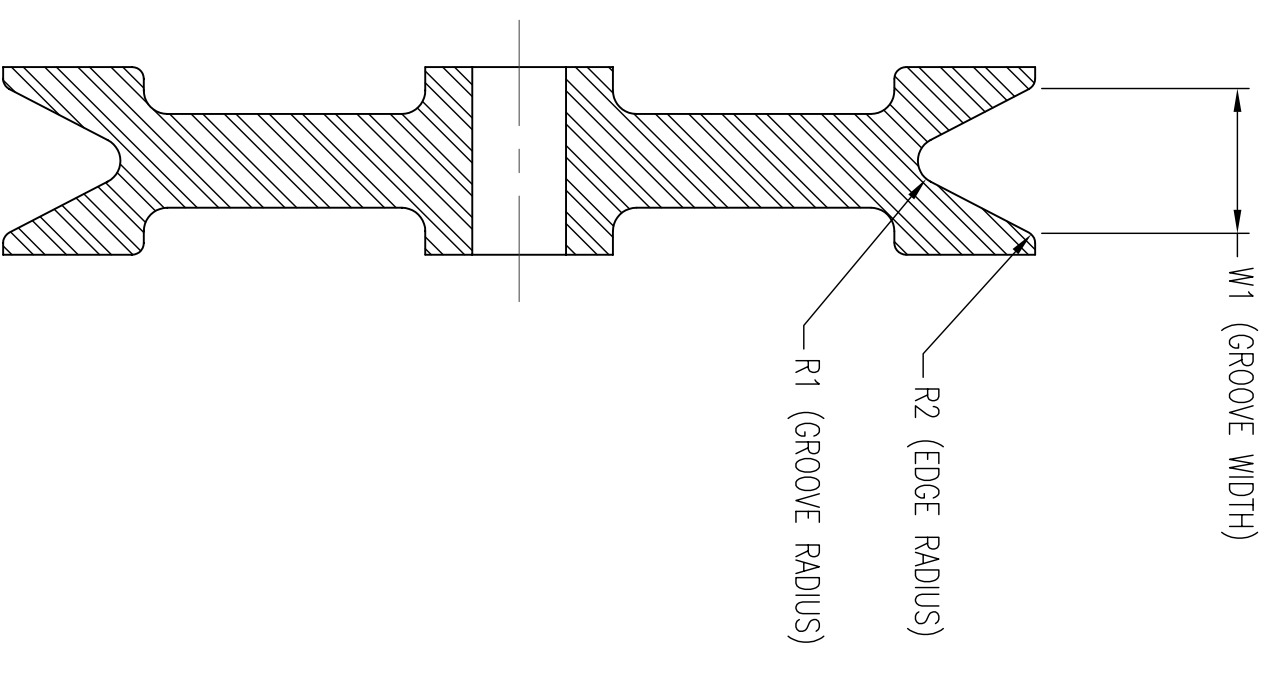


ALTERNATE SHEAVE
SECTION VIEW



TYPICAL SHEAVE
SIDE VIEW



TYPICAL SHEAVE
SECTION VIEW



REV.	BY	DATE	DESCRIPTION
REVISIONS			
BAY MARINE, INC.			
239 NEW MEADOW RD BARRINGTON, RI 02806 (401)-245-6910			
NSF / ONR			
LOAD HANDLING SYSTEM STUDY			
TYPICAL SHEAVE DETAILS			
SCALE: 3"=1'-0"		DATE: 2/24/05	BY: JRB
DWG. NO.: C215-005		REV: —	

THIS DOCUMENT CONTAINS INFORMATION PROPRIETARY TO BAY MARINE, INC. NEITHER THE CONTENTS NOR ITS CONTENTS ARE TO BE REPRODUCED, DISCLOSED, OR USED IN ANY MANNER, OR IN WHOLE OR IN PART, EXCEPT AS EXPRESSLY AUTHORIZED IN WRITING BY BAY MARINE, INC.