

# SOEST ROV Status Review







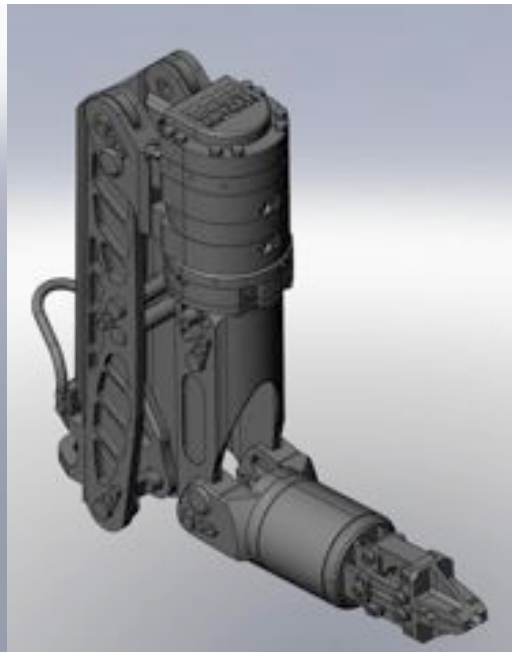






# ROV science capabilities

- \* Manipulators
  - \* Schilling Orion 7P, seven-function
  - \* DOER SeaMantis, five-function





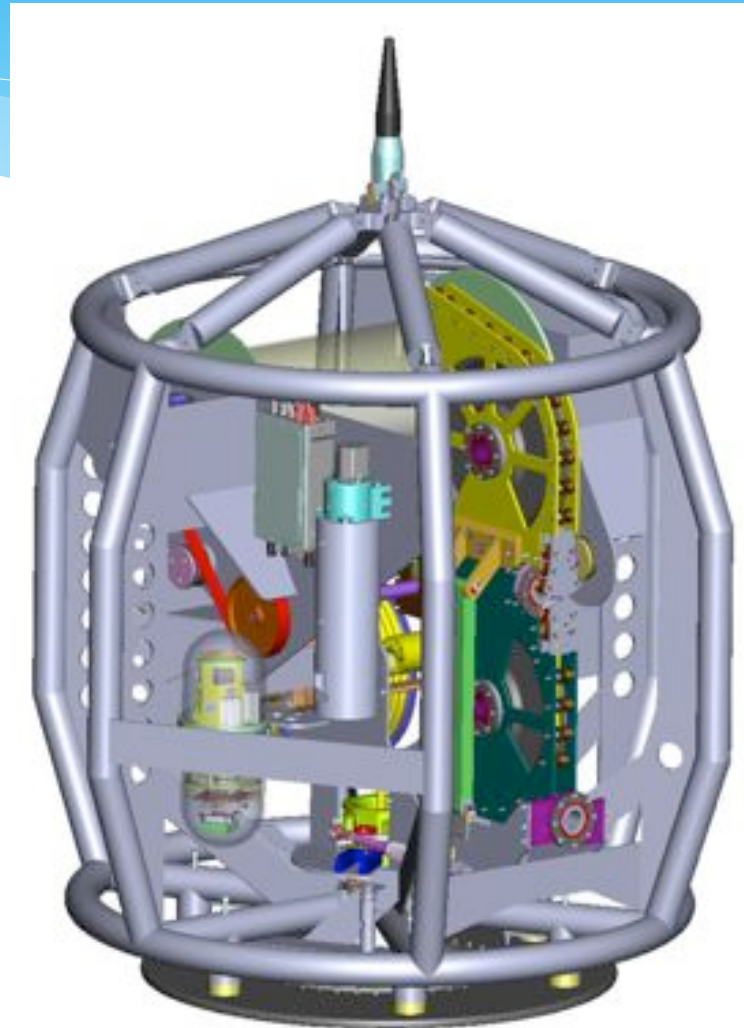


# ROV science capabilities

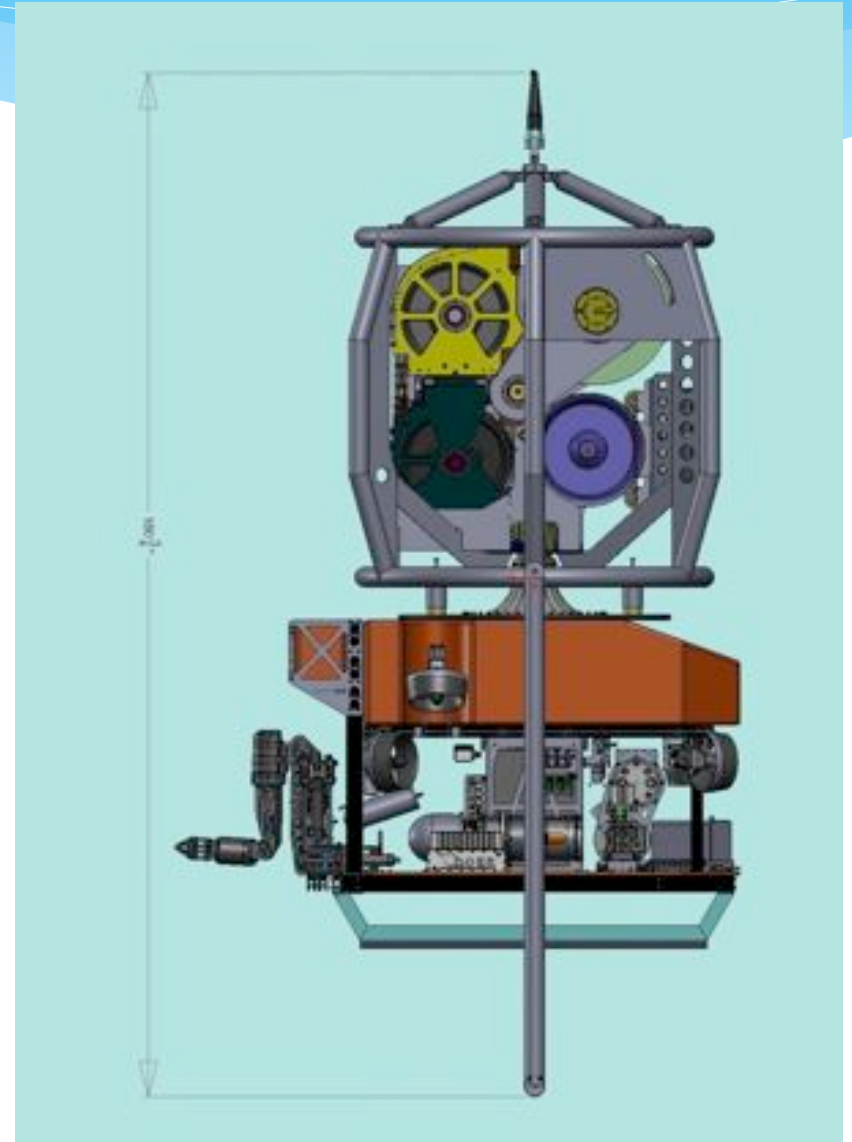
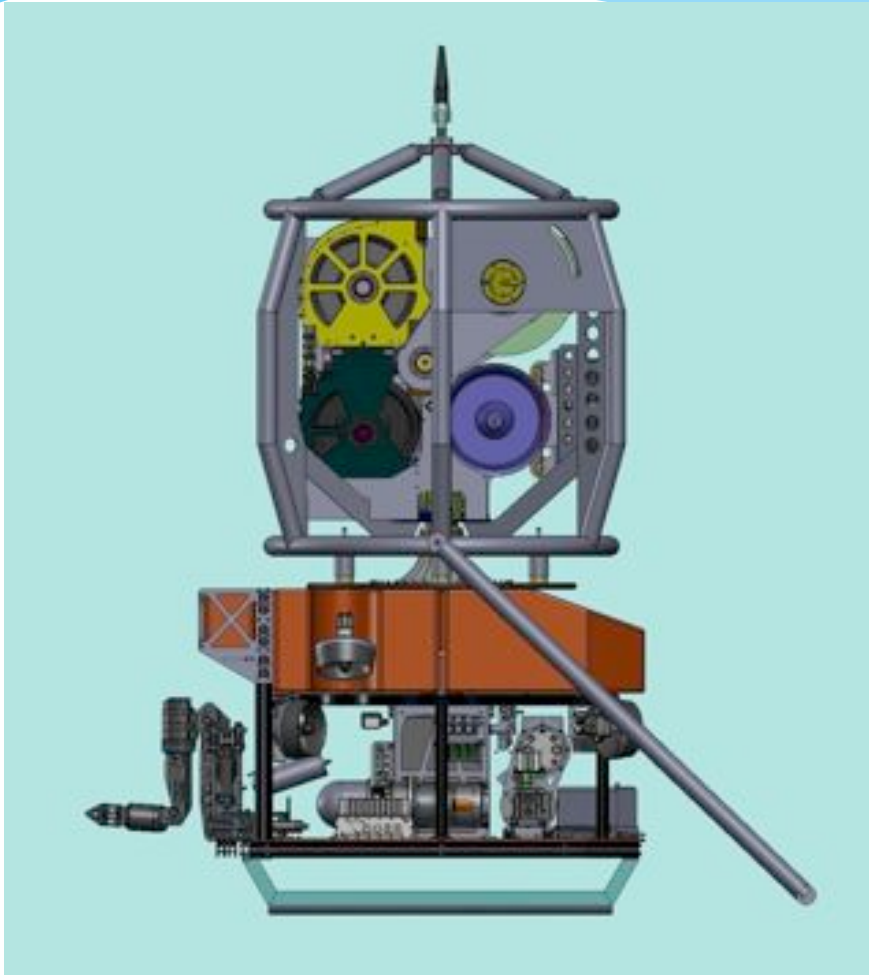
- \* Science Manifold
  - \* 6 bulkhead connectors
  - \* Will support RS-232/422/485 and Gigabit Ethernet
  - \* Supported voltages include 5, 12, 24 and 48 VDC
  - \* Additional ACO support manifold is being developed, bulkhead connector TBD
- \* Expandable to larger sample basket and/or tool skids

# Tether Management System

- \* 75" diameter, 68" high (top-hat only)
- \* Transition between .681 cable and neutrally buoyant tether
- \* Winch drum w/ slip-ring and level-wind
- \* 5 HP hydraulic motor



# Chosen Alternative



# ROV and tether management

