

# A Sustainable Fleet

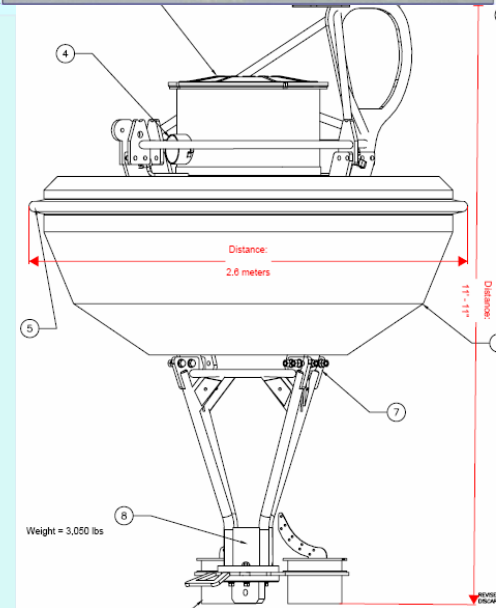
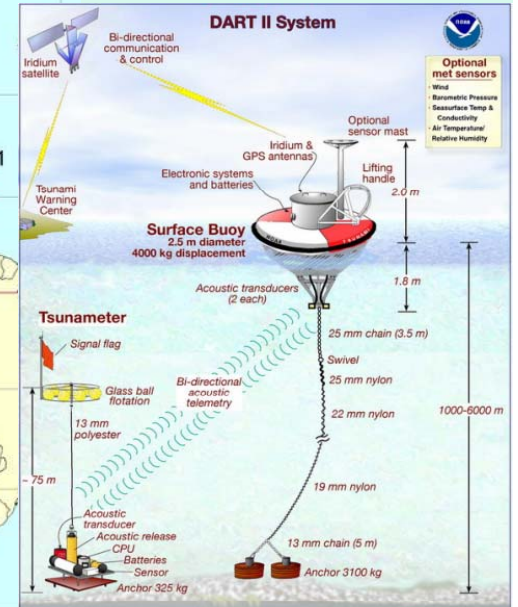
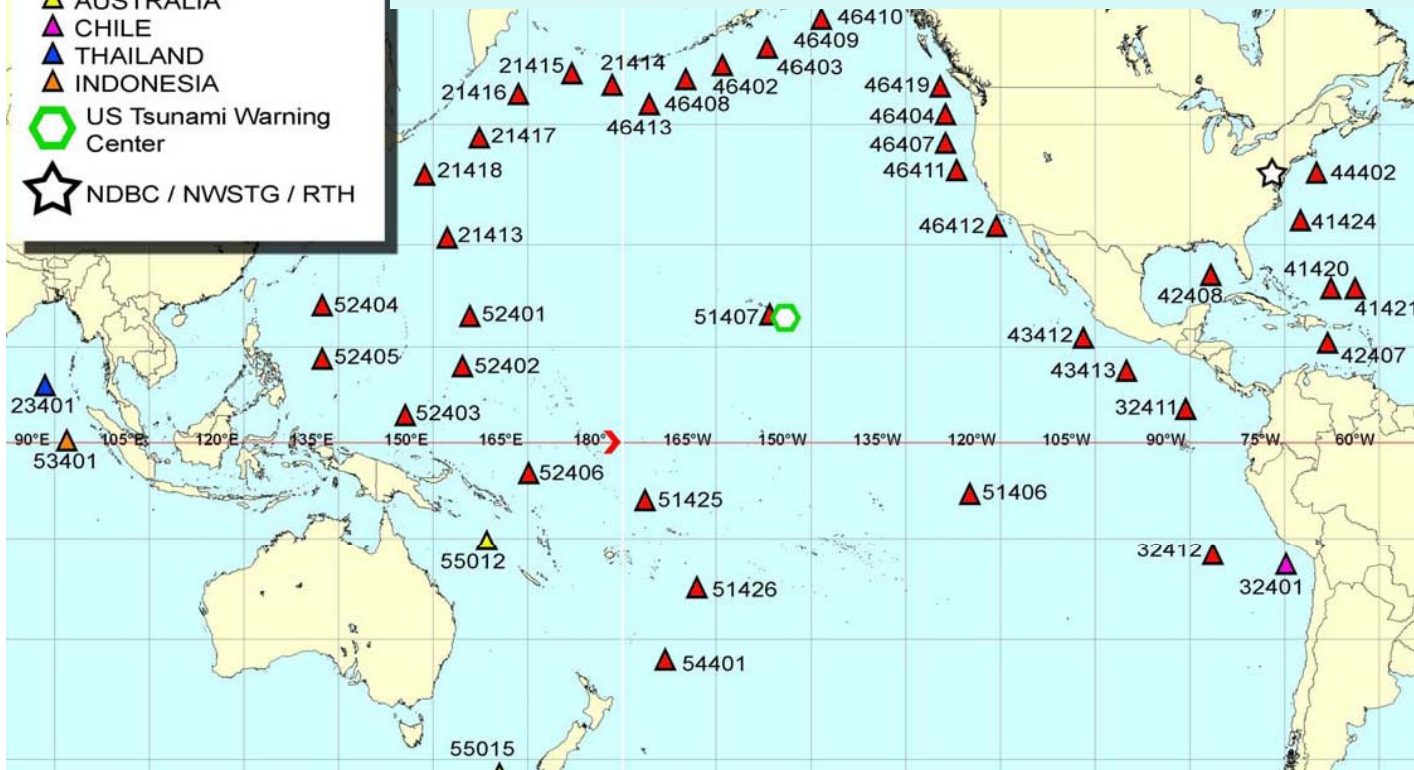
- UNOLS Initiative, Bruce Corliss: Green Ships and Blue Waters; Environmental Considerations for the Future of the UNOLS Fleet
- Participants
  - Operators/Crew
  - Technical support
  - Science
- Reduce, Reuse, Recycle
- Survey
  - Baseline data
  - Feedback and ideas
- Identify opportunities



# DART Moorings 2011



- ▲ NDBC DART
- ▲ AUSTRALIA
- ▲ CHILE
- ▲ THAILAND
- ▲ INDONESIA
- US Tsunami Warning Center
- ☆ NDBC / NWSTG / RTH



- DART: 39 Total
- Crane: 8000lb@max reach - deck & water line
- A-Frame: 15,000lbs; 18' vert, 12' horiz; 8' out
- Transom: 6' above waterline
- Winch: 12,000lbs, 18" diam
- Capstan: 6,000lbs@40ft/min
- DP; 30-40 day endurance
- Deck Space: 5000sqft; Small Boat