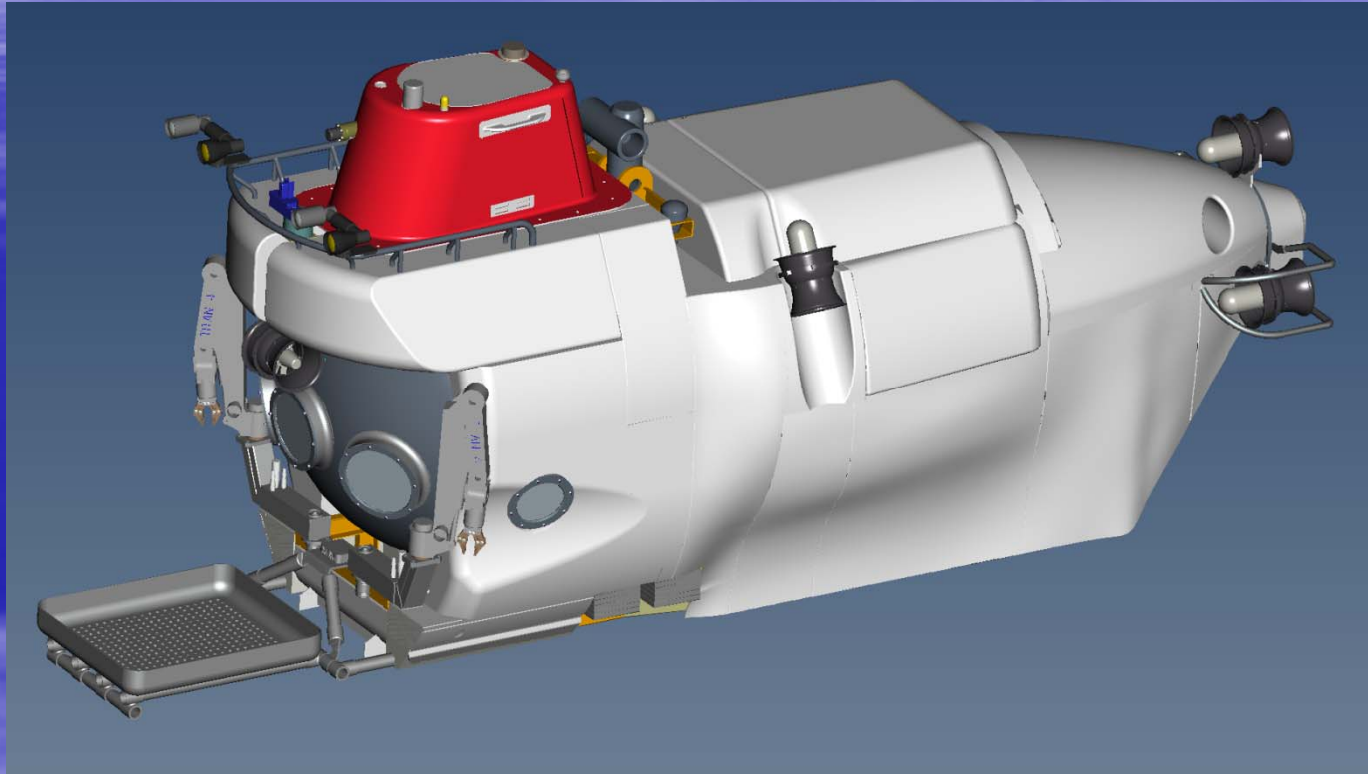


Replacement Human Occupied Vehicle (RHOV)



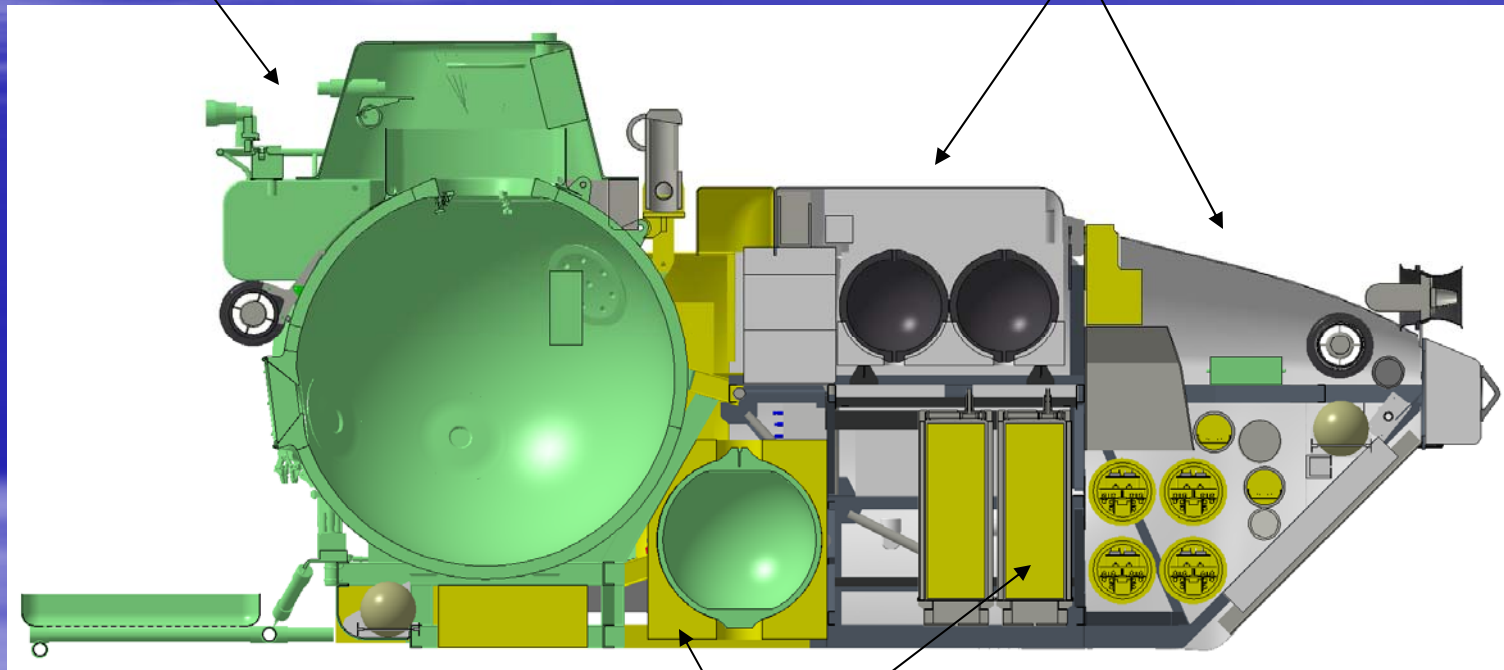
UNOLS Council
October, 2009

Brian Midson

Proposed Phase-I (4500m) Vehicle

Newly constructed sphere (green)

Existing *Alvin* components (gray)



Primary vehicle components to be developed:

Syntactic foam, batteries (yellow)

Sphere



Timeline

- ✓ Readiness Review, September 2009
- Preliminary Design Review, December 2009
- Final Design Review, July 2010
- Sphere Delivery, March 2011
- Initial Sea Trials, Early 2012

