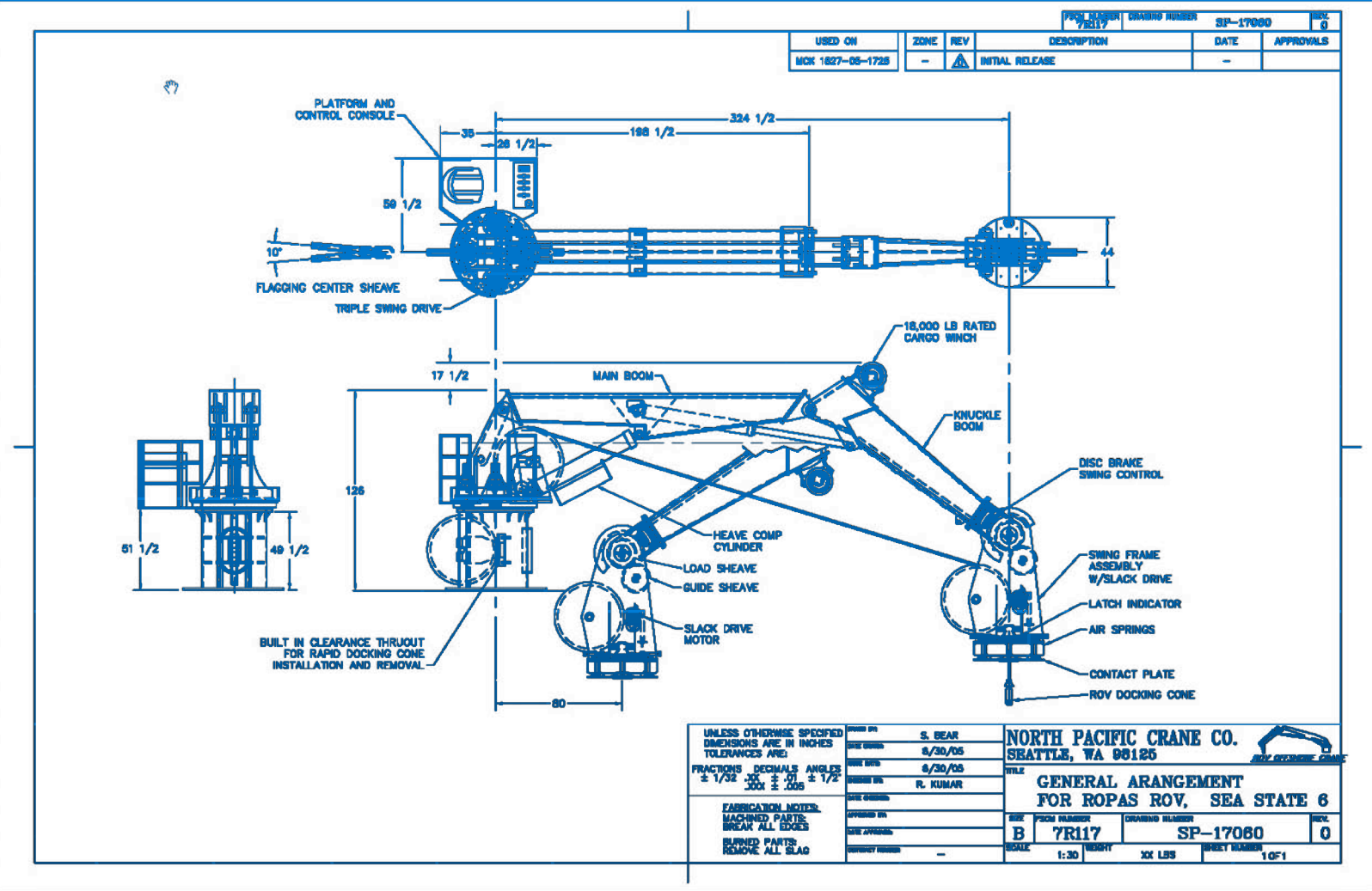




**Mid-depth (2500m) ROPOS System**

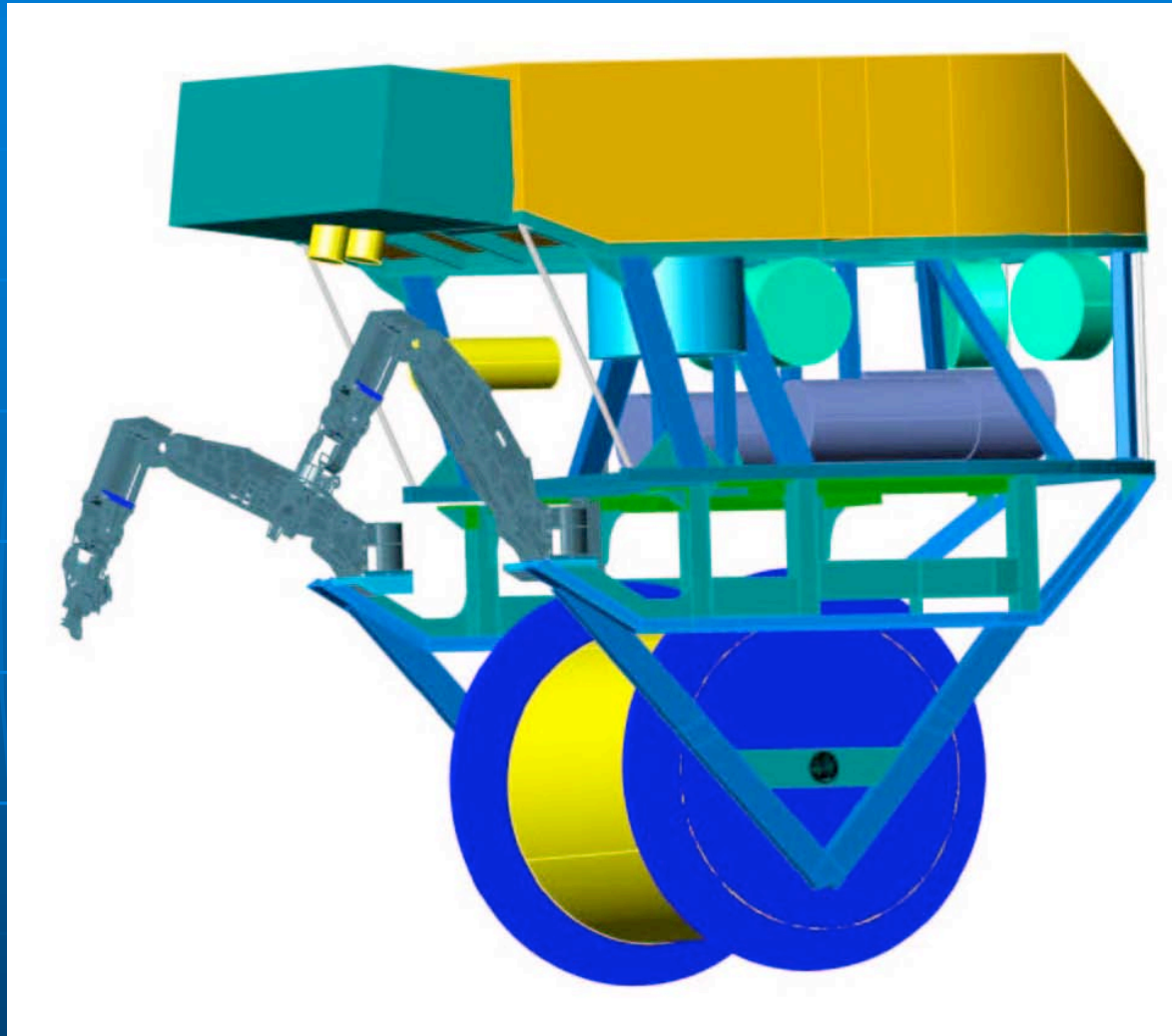


USED ON	ZONE	REV	DESCRIPTION	DATE	APPROVALS
MOX 1827-05-1728	-	▲	INITIAL RELEASE	-	

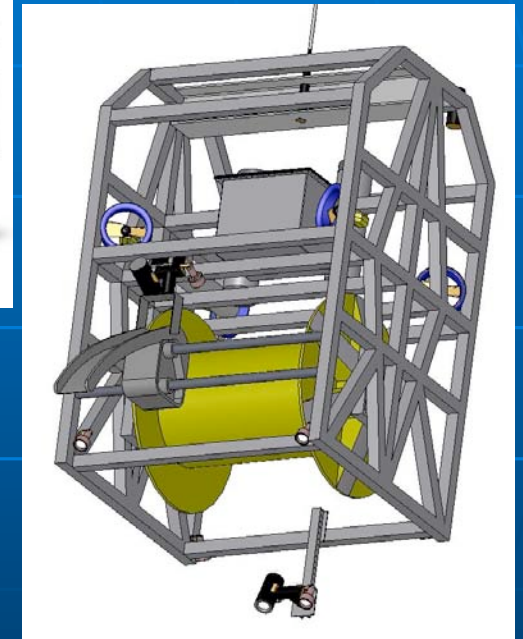
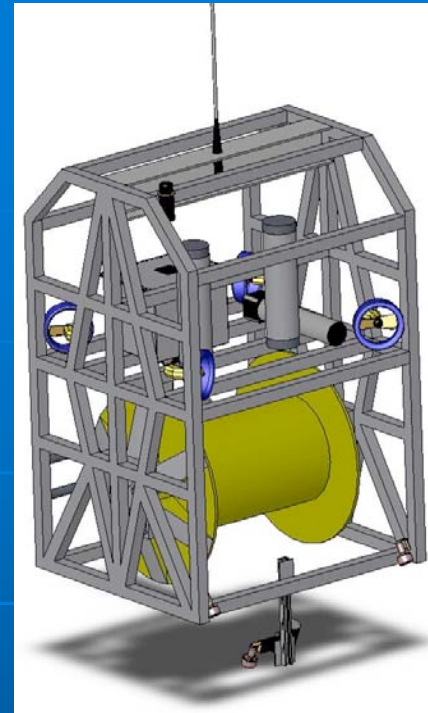
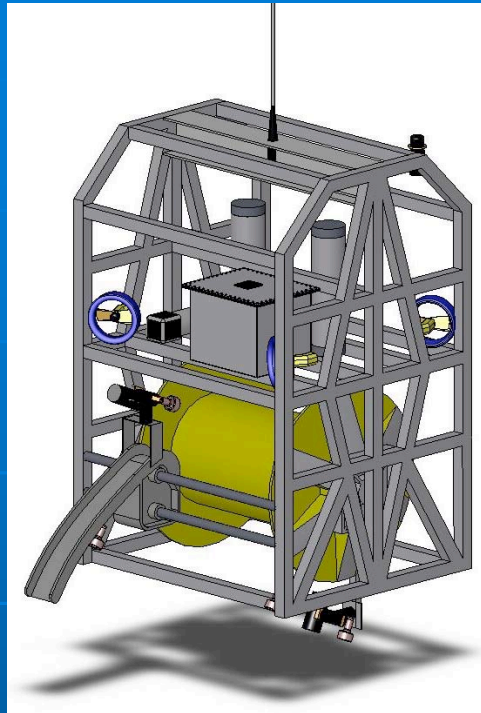
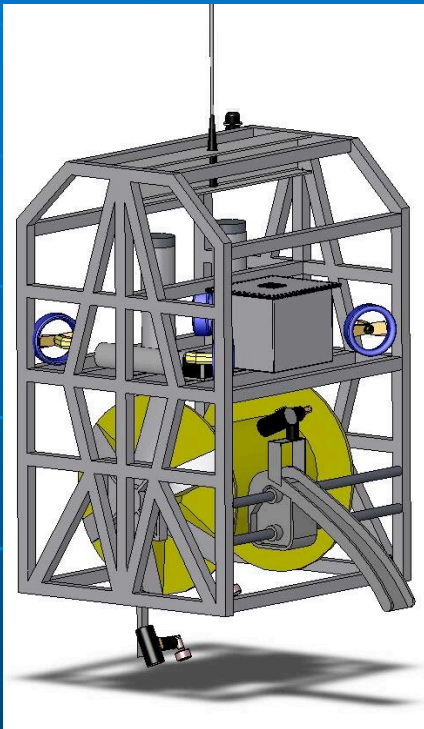
UNLESS OTHERWISE SPECIFIED DIMENSIONS ARE IN INCHES TOLERANCES ARE: FRACTIONS .XX ± .01 ± 1/2 DECIMALS .XXX ± .005 ANGLES .001 ± .005	DESIGNED BY S. BEAR DATE DESIGNED 8/30/05 DRAWN BY 6/30/05 CHECKED BY R. KUMAR	<b>NORTH PACIFIC CRANE CO.</b> SEATTLE, WA 98125
	DATE CHECKED: APPROVED BY: DATE APPROVAL: CHECKED BY:	<b>GENERAL ARRANGEMENT          FOR ROPAS ROV, SEA STATE 6</b>
FABRICATION NOTES: MACHINED PARTS: BREAK ALL EDGES BURNED PARTS: REMOVE ALL SLAG	TITLE: B 7R117 SCALE: 1:30 WEIGHT: 2X LBS SHEET NUMBER: 1 OF 1	DRAWING NUMBER: SP-17080 REV: 0

LARS Crane

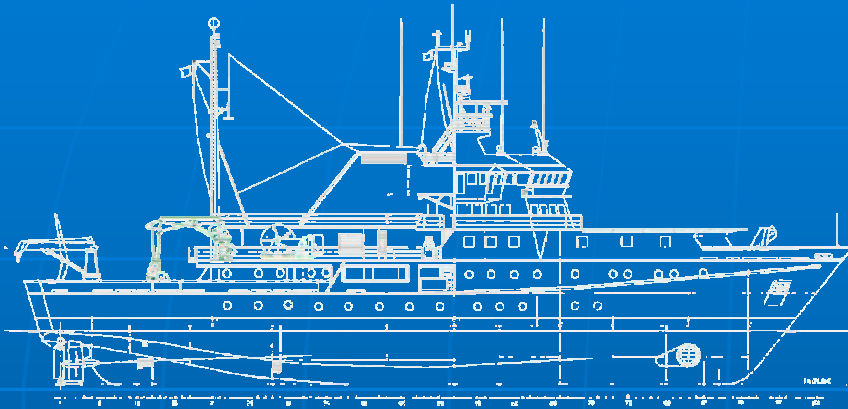




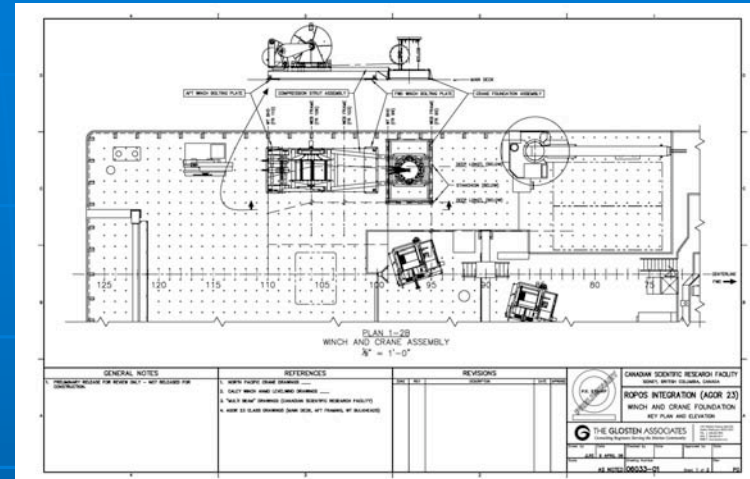
**ROPOS With 4000lb. lift Capability**



## Long Extension Cable Laying System



CCGS John P. Tully



■ Thomas G. Thompson



## Mid Depth System on Vessels







## Canadian Scientific Submersible Facility



Web Page: [www.ropos.com](http://www.ropos.com)

E-mail: [operations@ropos.com](mailto:operations@ropos.com)

