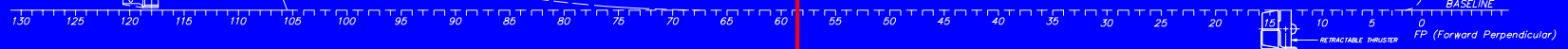
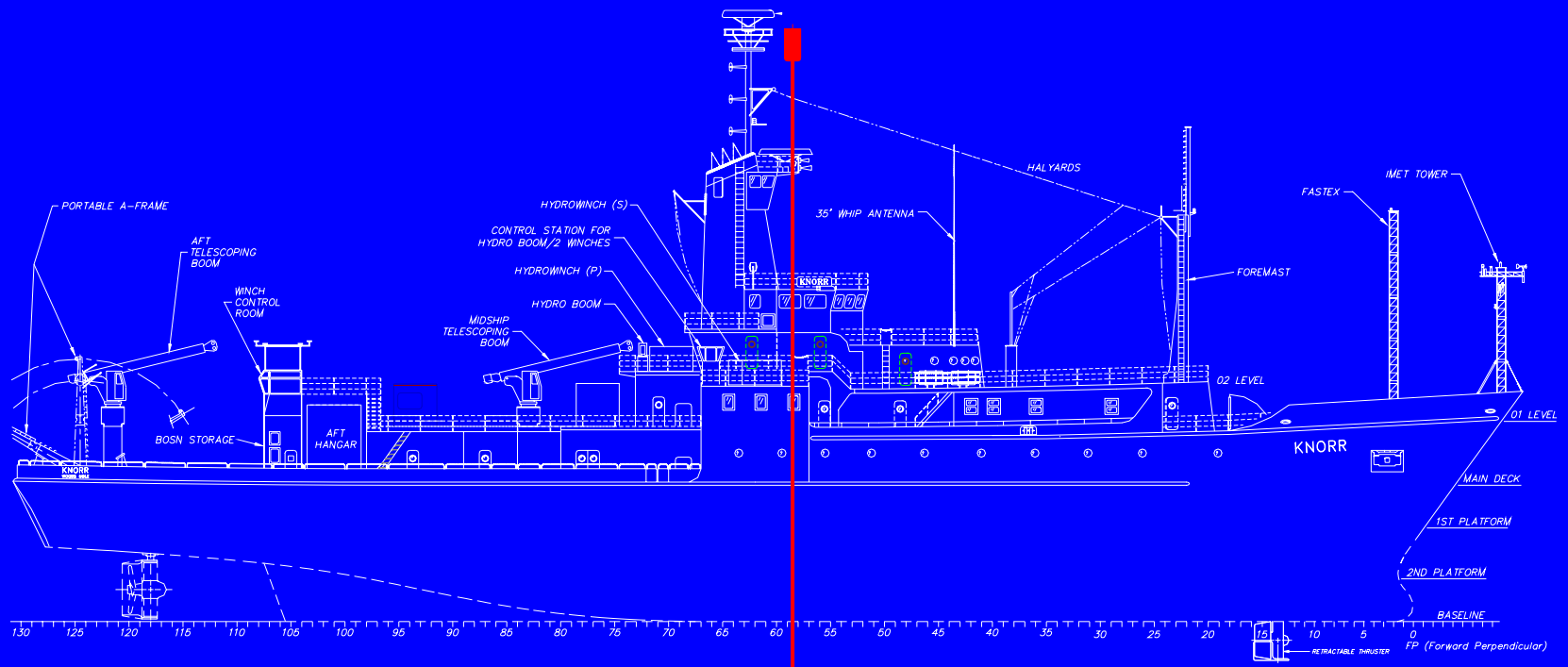




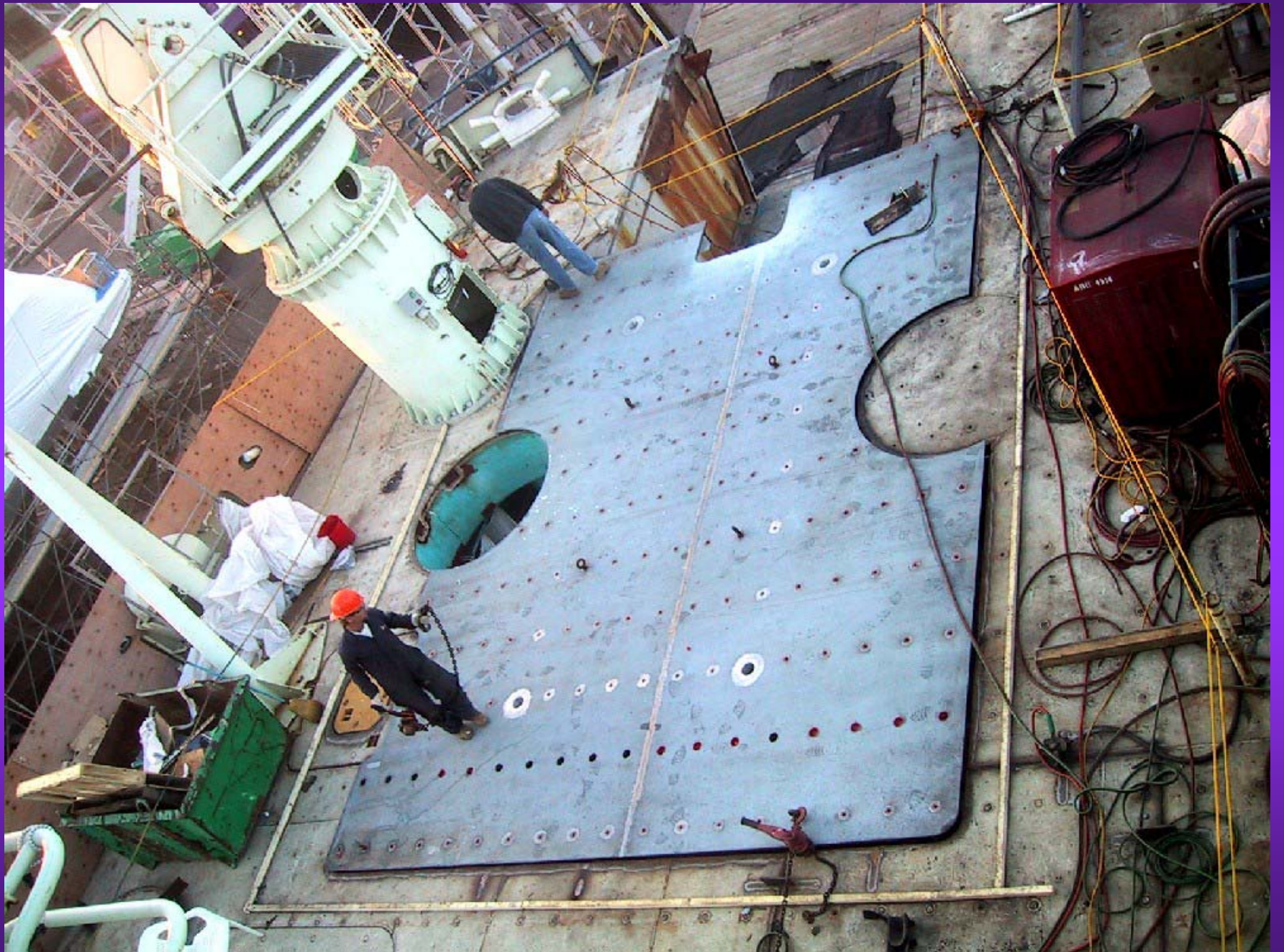
KNORR

17
16
15
14
13
12
11
10
9
8
7
6
5
4
3
2
1

















KNO
WOODS

MDT133

17
16
15

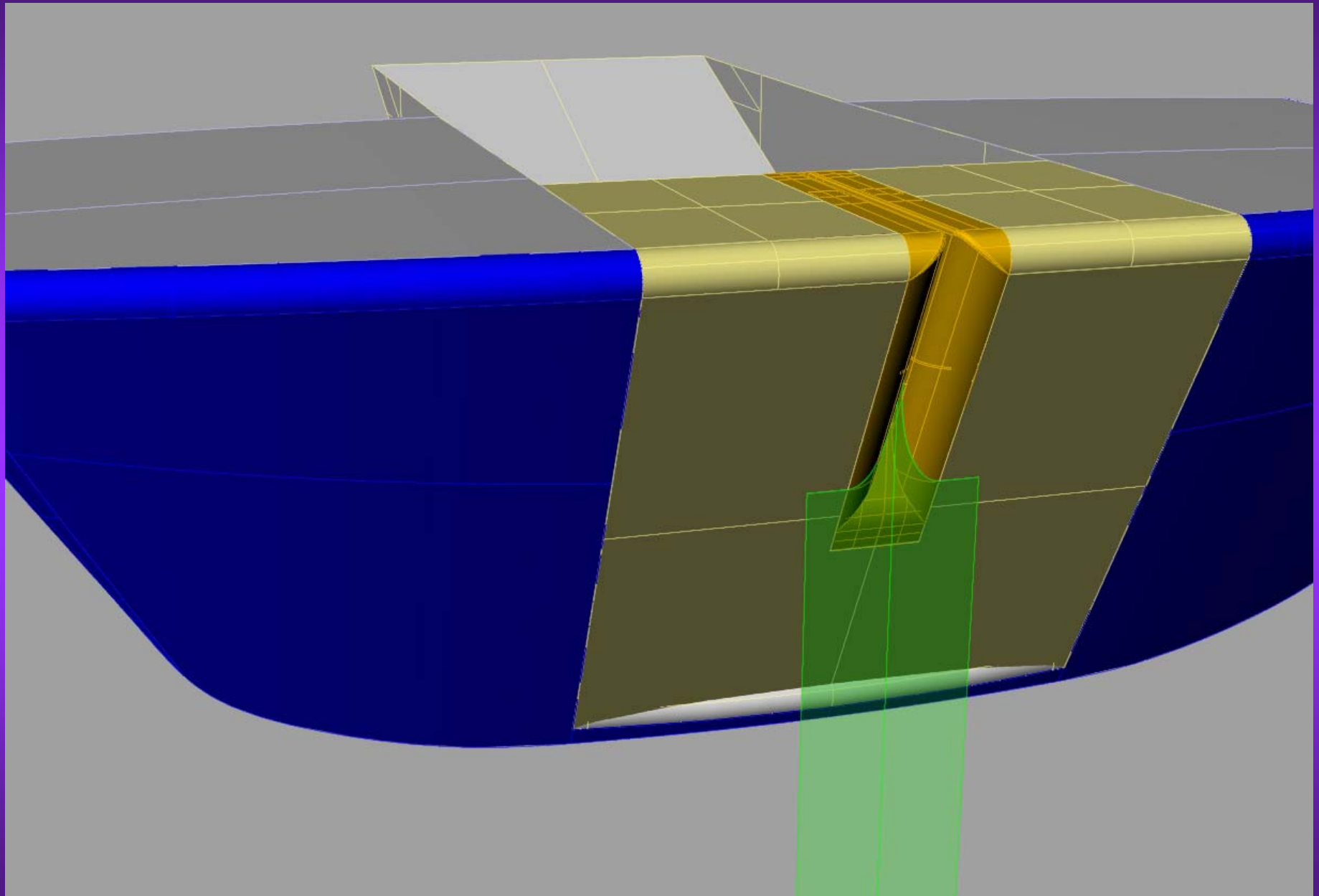
37

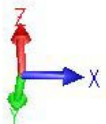
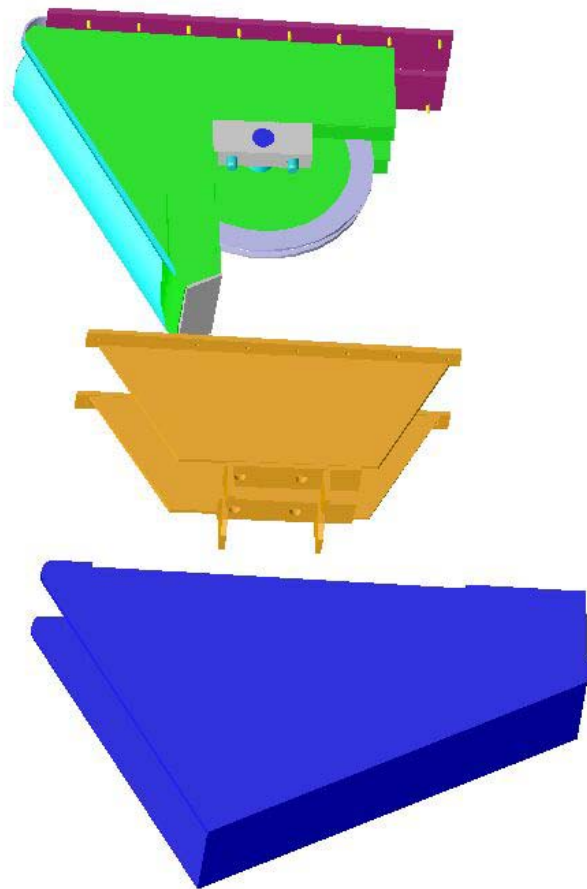
35



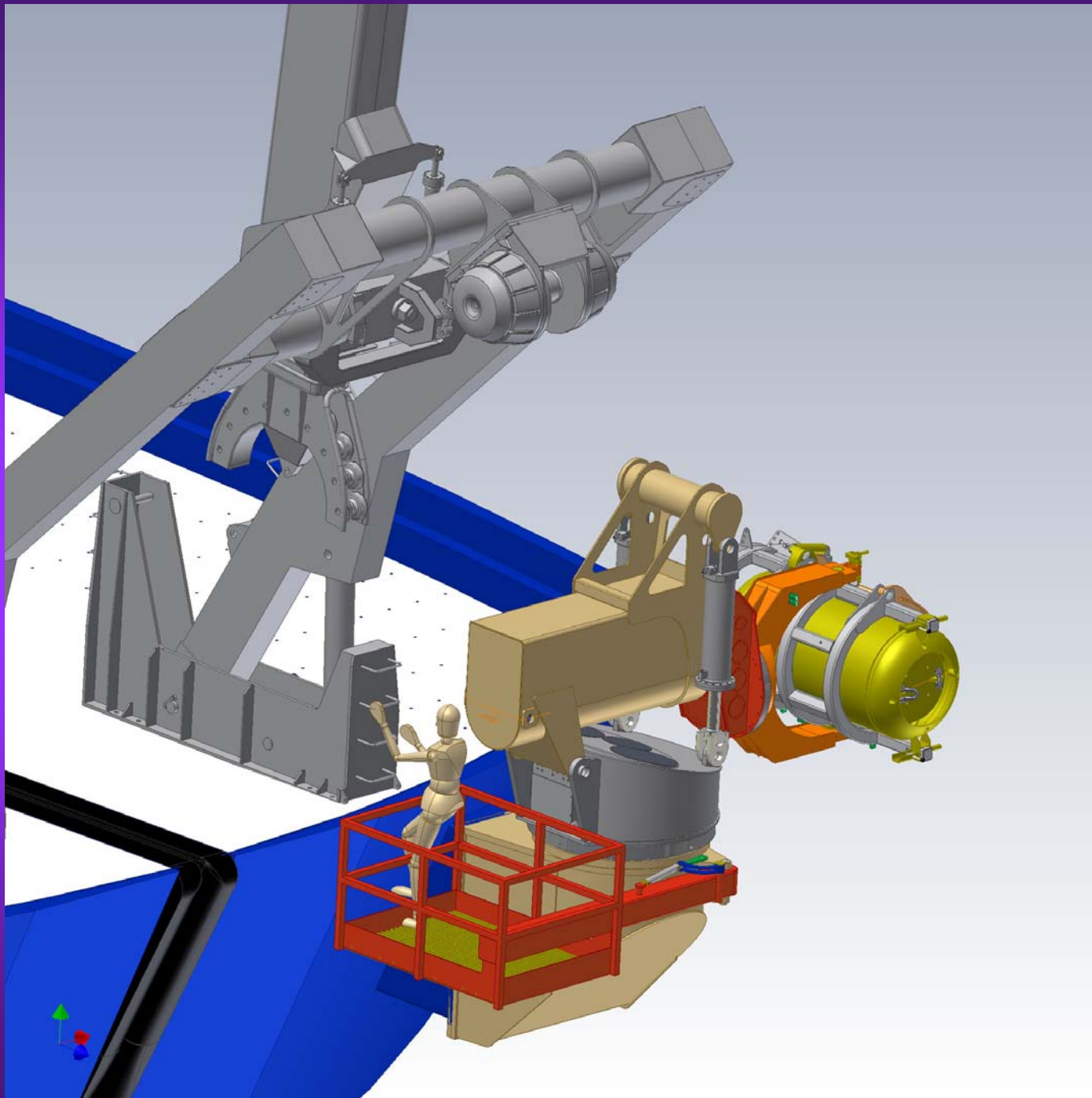


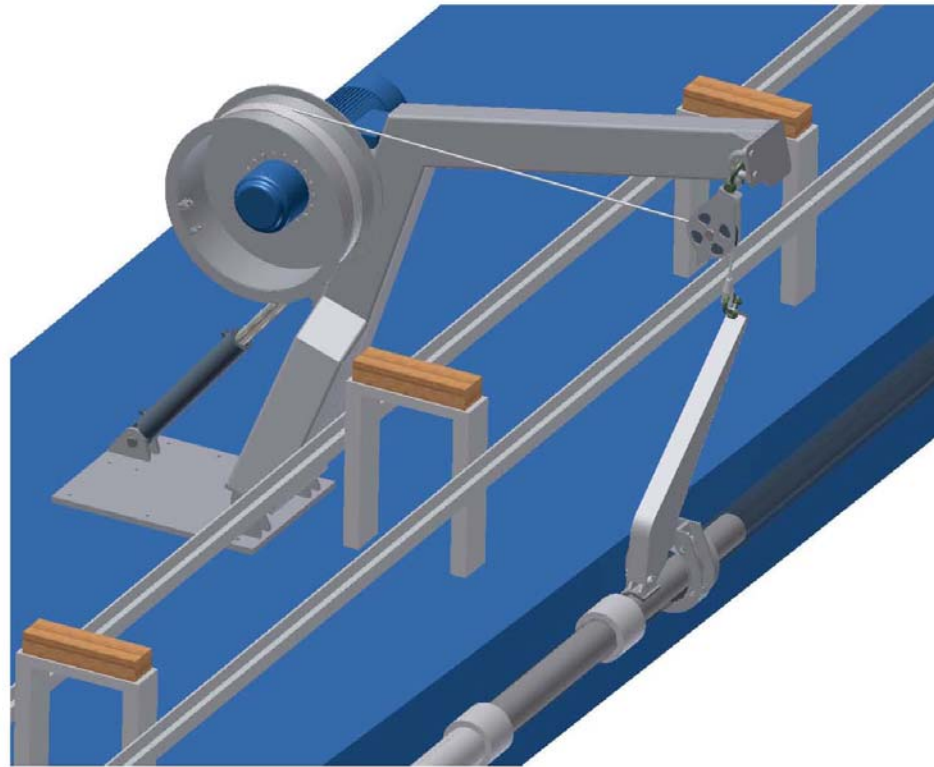
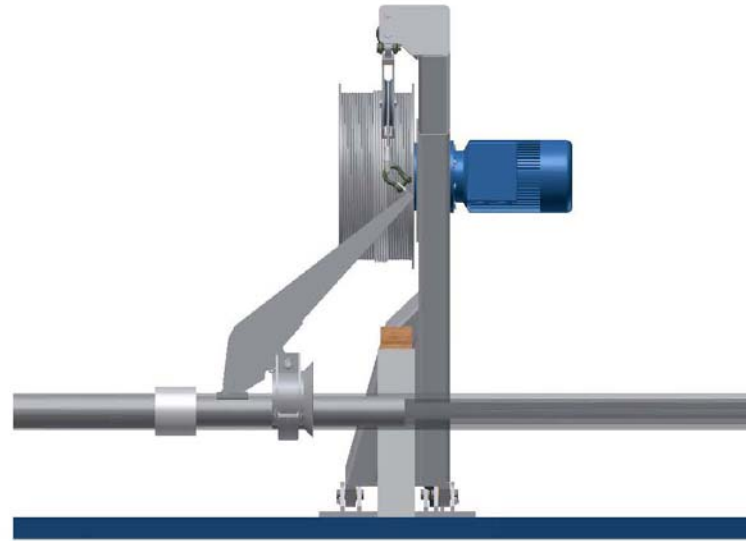


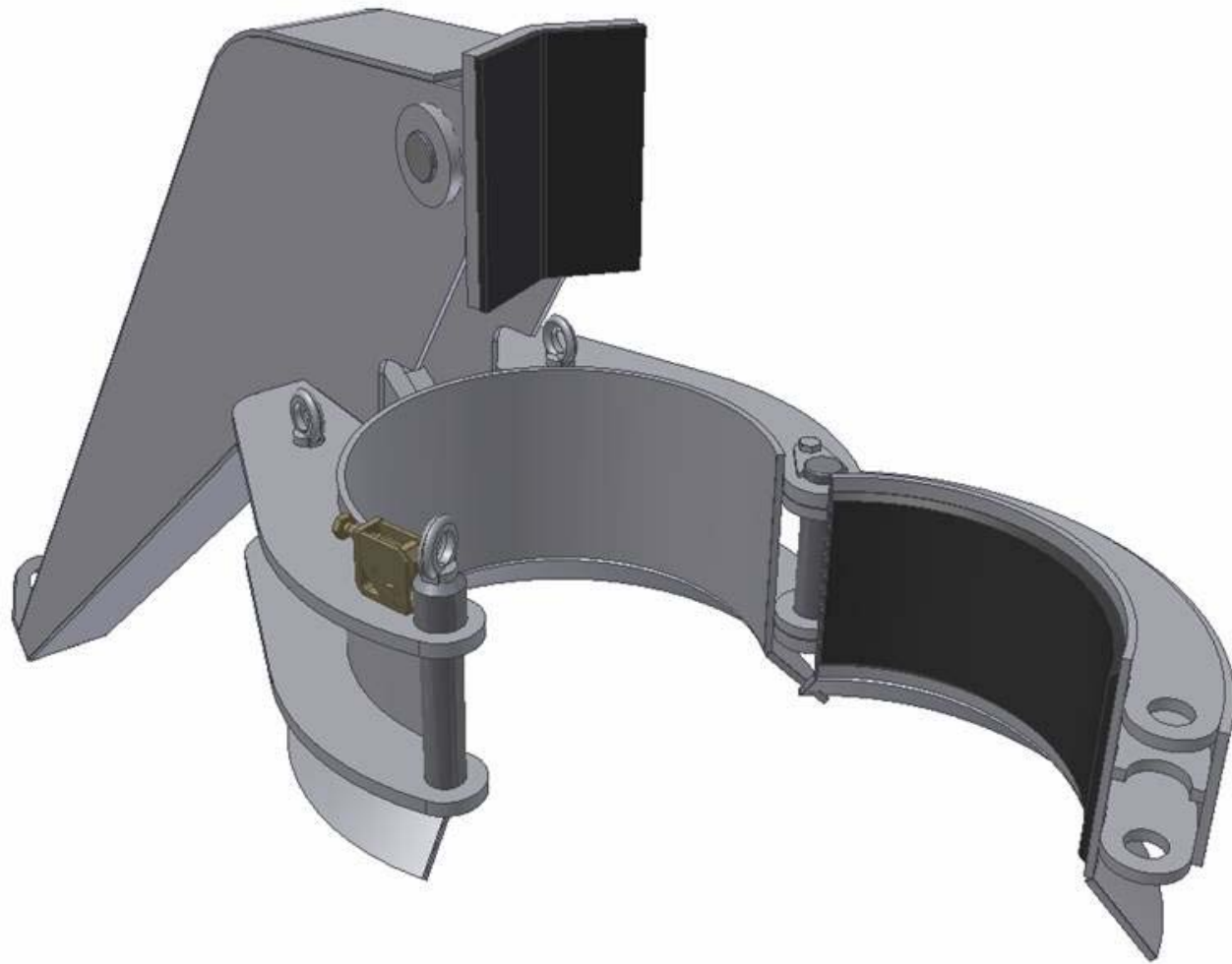














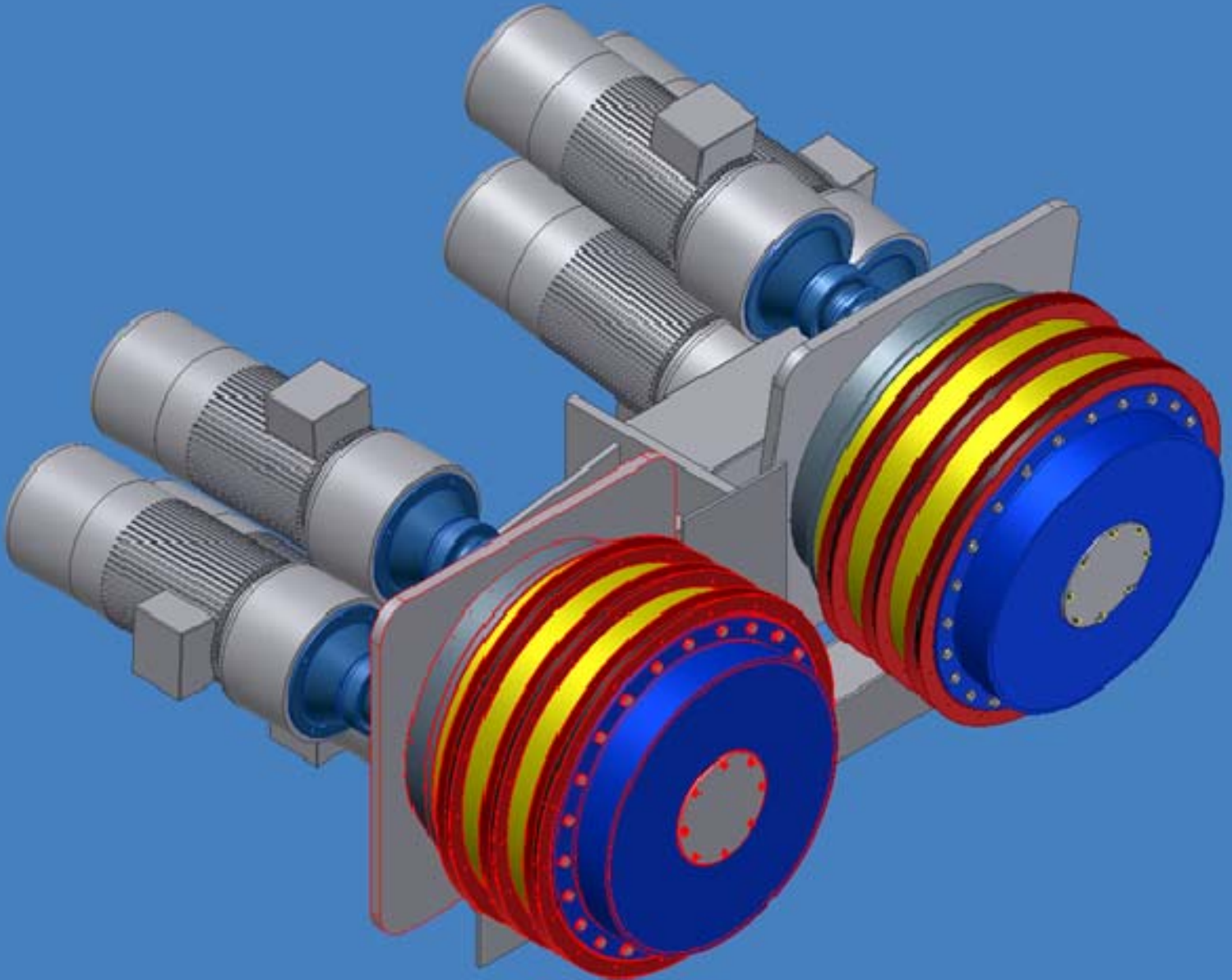


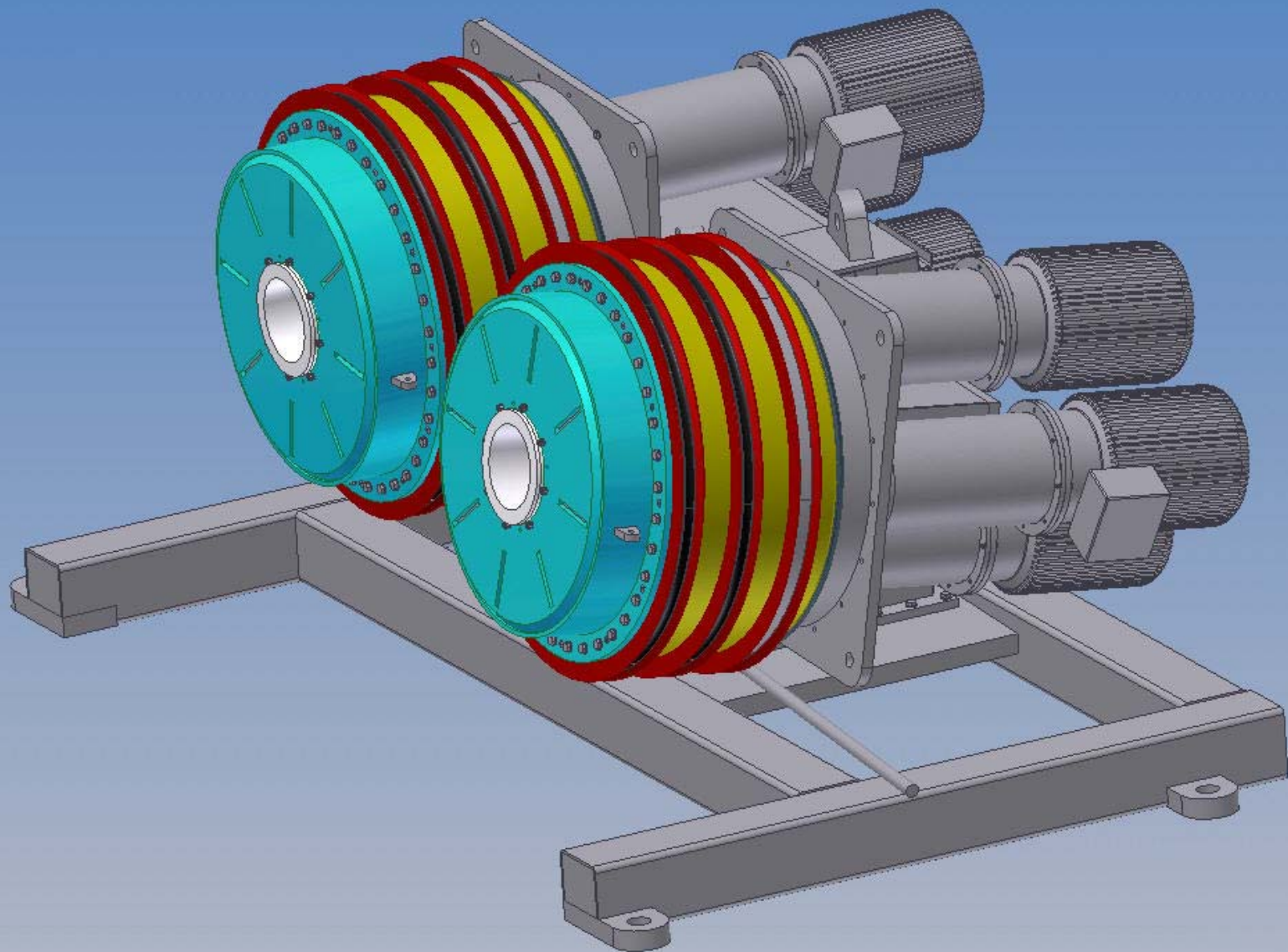


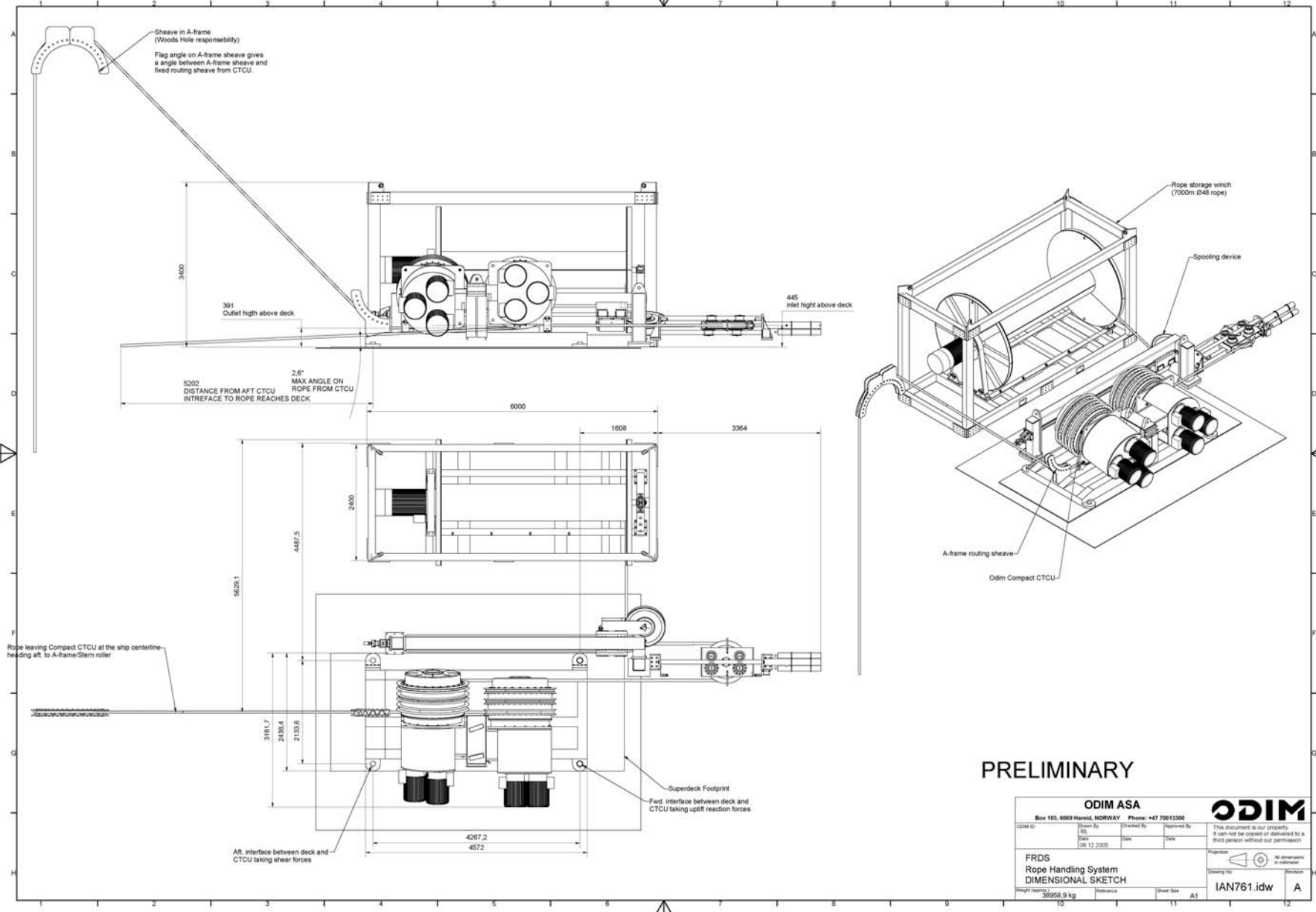










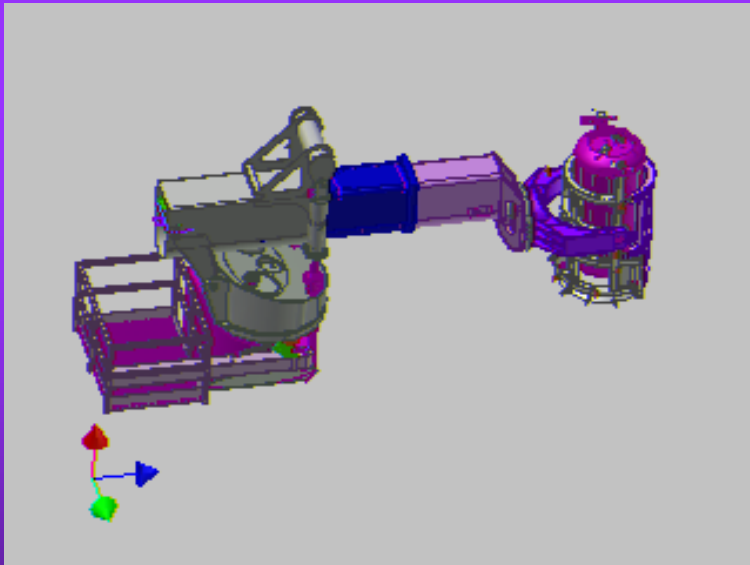


PRELIMINARY

ODIM ASA				ODIM
Box 193, 6069 Harøid, NORWAY Phone: +47 70013300				
Order ID:	Drawn By:	Checked By:	Approved By:	This document is our property. It can not be copied or delivered to a third person without our permission. Drawing No. Revision
	Date:	Date:	Date:	
	06.12.2005			
FRDS Rope Handling System DIMENSIONAL SKETCH				All dimensions in millimeter IAN761.idw A
Weight:	30958.9 kg	Reference:	Sheet Size:	

**AUTOMATION FOR THE WHOI LONG CORE PROGRAM:
DEVELOPING POSITION SENSOR CONTROL TECHNOLOGY
FOR THE MARINE ENVIRONMENT**

Grayce B. Kerr Fund INC.



Rotary Encoders and Linear Variable Displacement Transducers

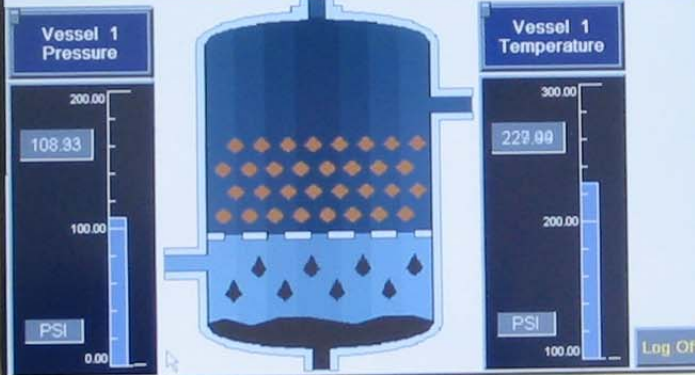


Data Archive Active - ●
Control Active - ●

AGI Mix Tank # 1

Cancel
11/9/2005
8:02:05 AM

Vessel 1 Flow Rate	Vessel 1 Level	Vessel 1 Status	Pump 1 Status
83.3	3.3	ON LINE	Stopped
GPM 82	Inches 3.0		



1

Get Page

Page Up

Page Down

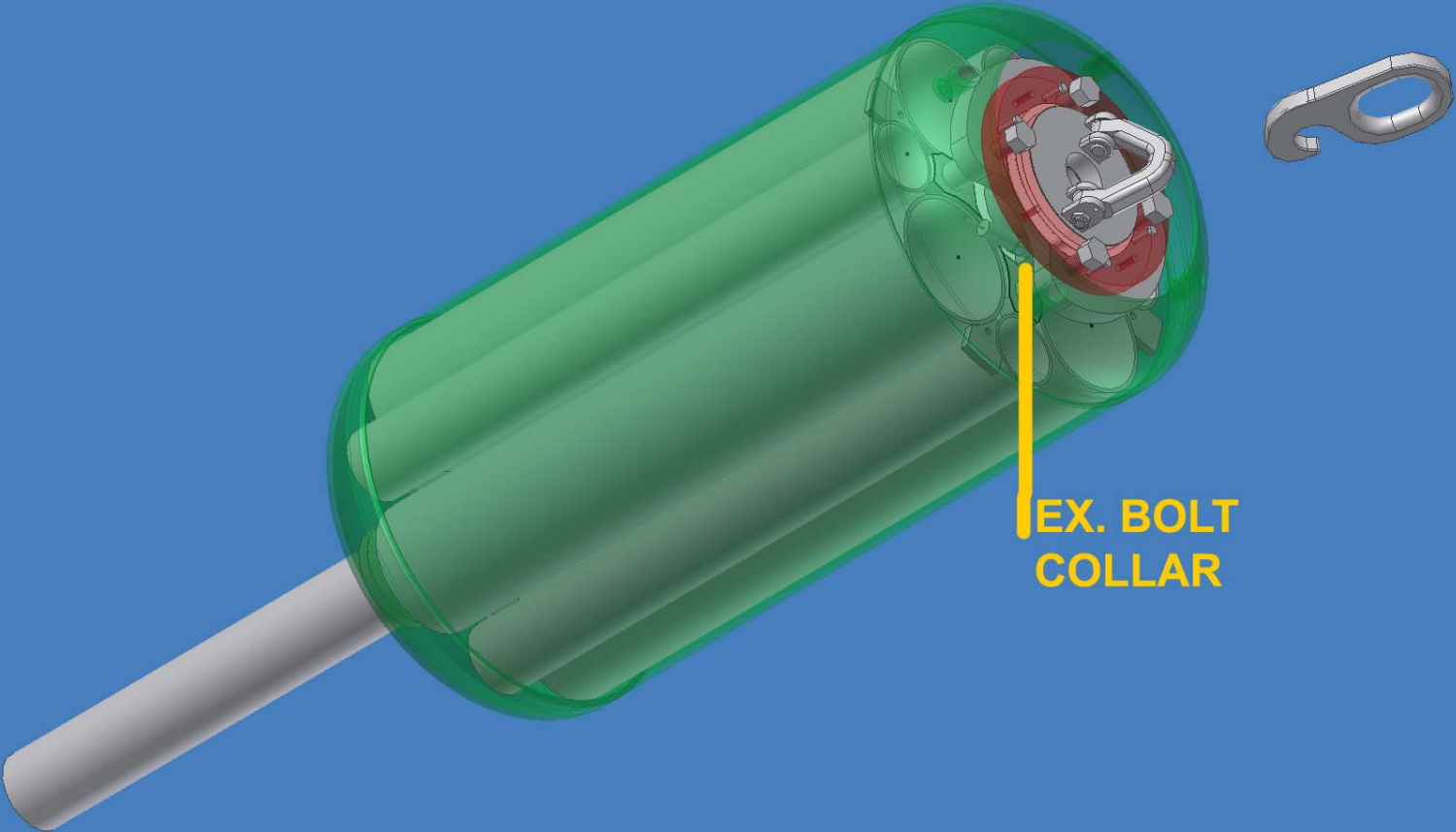
Previous Page

View/Ack. Alarms - Events

Log Off

Current User: admin





**EX. BOLT
COLLAR**

