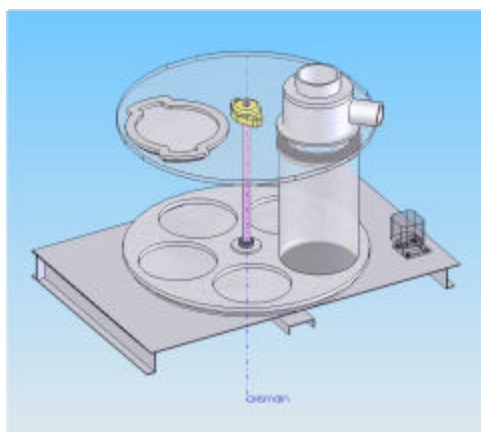


Suction Samplers

Upgrades to National Deep Submergence Facility



- **Modular System** suitable for use on both Alvin and Jason
- **Removable “cassettes”**
- **Up to 3 inch inlet with variable flow rate**
- **No cross contamination of samples**



Suction Samplers

Upgrades to National Deep Submergence Facility

Status

- **Design concept complete with detailed component design underway**
- **Main system suction pump tested on Jason during 2005 operating season**
- **Test of final system planned for the April Jason Engineering dive**

