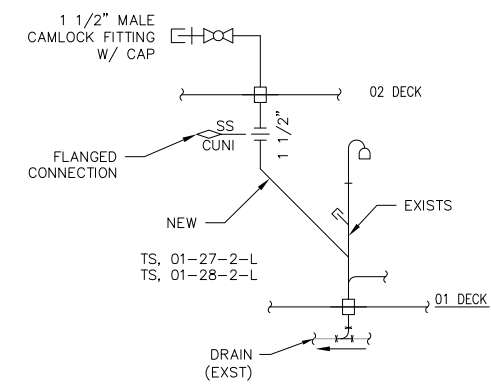
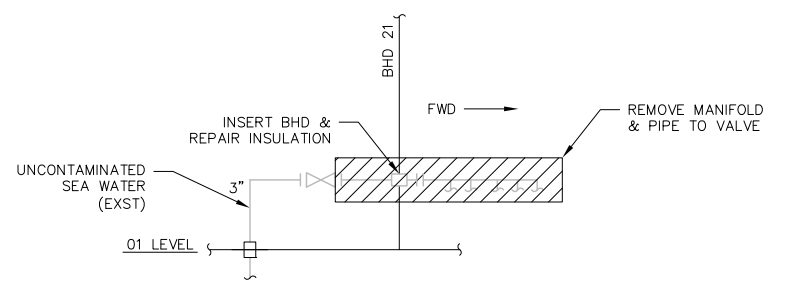


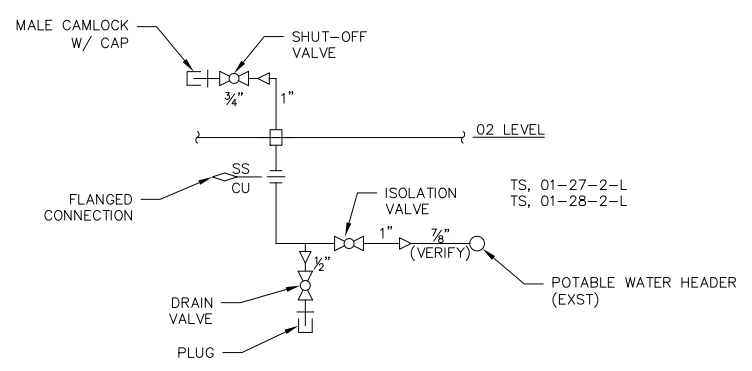
PARTIAL PLAN 2-7A  
UNOLS SCIENTIFIC VAN PIPE SERVICE LOCATIONS  
02 LEVEL



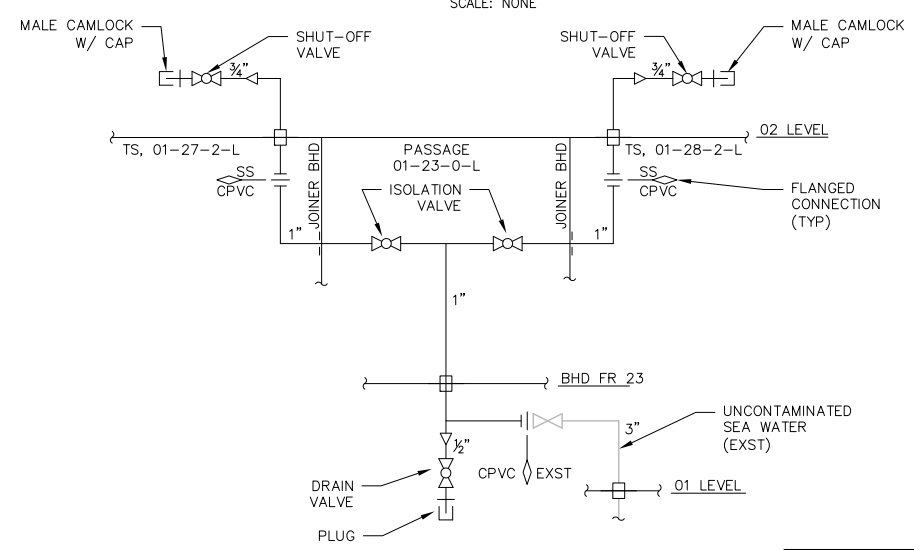
DETAIL 2-3D  
TYPICAL GRAY WATER SYSTEM DIAGRAM  
SCALE: NONE



DETAIL 2-2D  
EXISTING UNCONTAMINATED SEA WATER SYSTEM REMOVALS  
SCALE: NONE

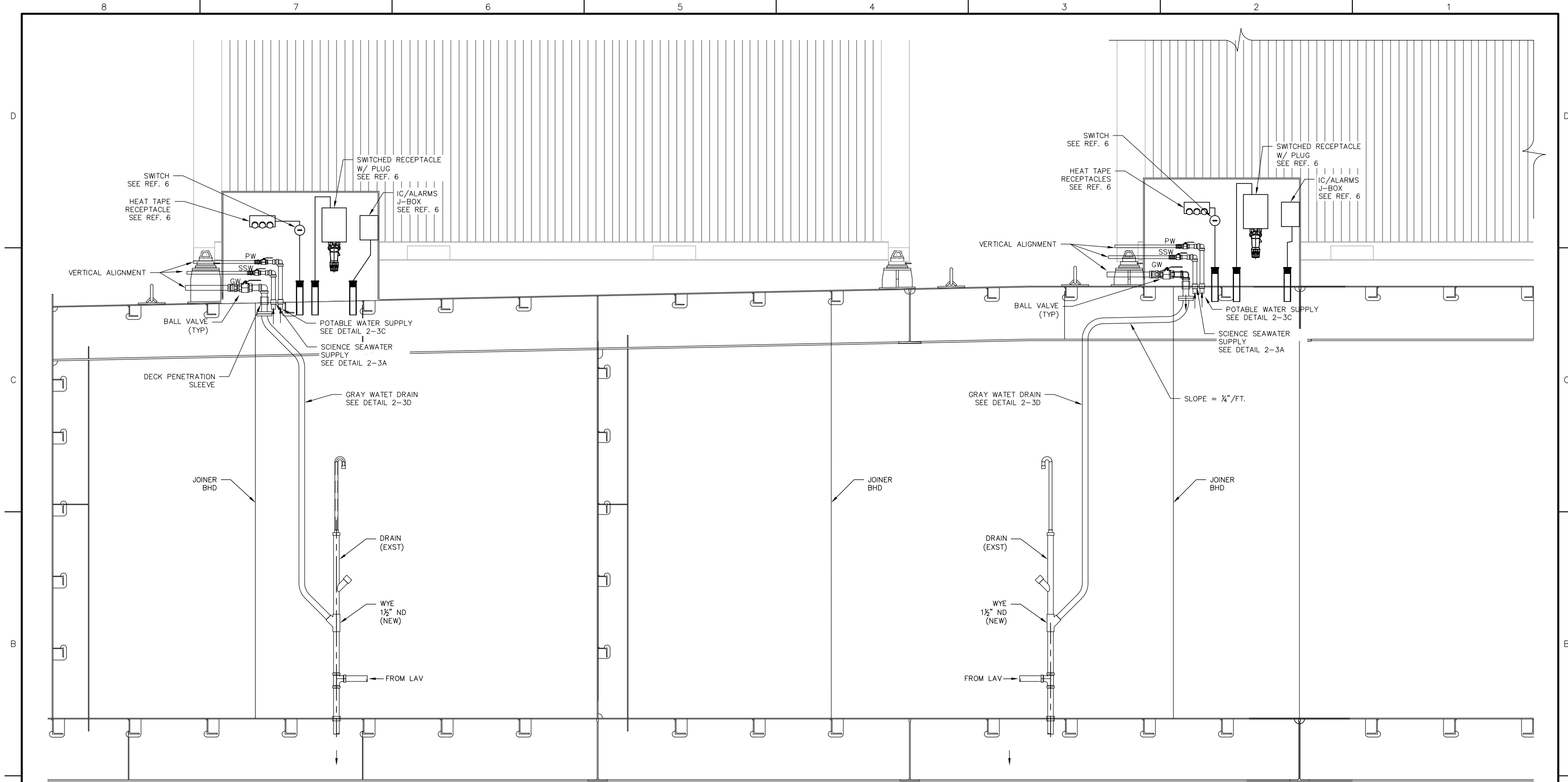


DETAIL 2-3C  
TYPICAL POTABLE WATER SYSTEM DIAGRAM  
SCALE: NONE



DETAIL 2-3A  
UNCONTAMINATED SEA WATER SYSTEM DIAGRAM  
SCALE: NONE

SCRIPPS INSTITUTION OF OCEANOGRAPHY SAN DIEGO, CALIFORNIA			
USCGC HEALY SCIENCE VAN UTILITIES UTILITY DIAGRAMS			
		INNOVATIVE MARINE SOLUTIONS 1201 WESTERN AVENUE, SUITE 200 SEATTLE, WASHINGTON 98101-2953 T 206.624.7850 <a href="http://GLOSTEN.COM">GLOSTEN.COM</a>	
Drawn by IBS	Checked by SAC	Approved by TLF	Date 04/03/2015
Scale AS NOTED		Drawing Number 15022-505-01	Sheet of 2 4
HALF SIZE PRINT			



**SECTION 3-5A**  
 VAN UTILITIES  
 3/4"=1'-0"

SCRIPPS INSTITUTION OF OCEANOGRAPHY SAN DIEGO, CALIFORNIA			
USCGC HEALY SCIENCE VAN UTILITIES UTILITIES ARRANGEMENT			
<b>Glosten</b>		INNOVATIVE MARINE SOLUTIONS	
1201 WESTERN AVENUE, SUITE 200 SEATTLE, WASHINGTON 98101-2953 T 206.624.7850		<b>GLOSTEN.COM</b>	
Drawn by IBS	Checked by SAC	Approved by TLF	Date 04/03/2015
Scale AS NOTED		Drawing Number 15022-505-01	Sheet of 3 4
Revision -			

HALF SIZE PRINT

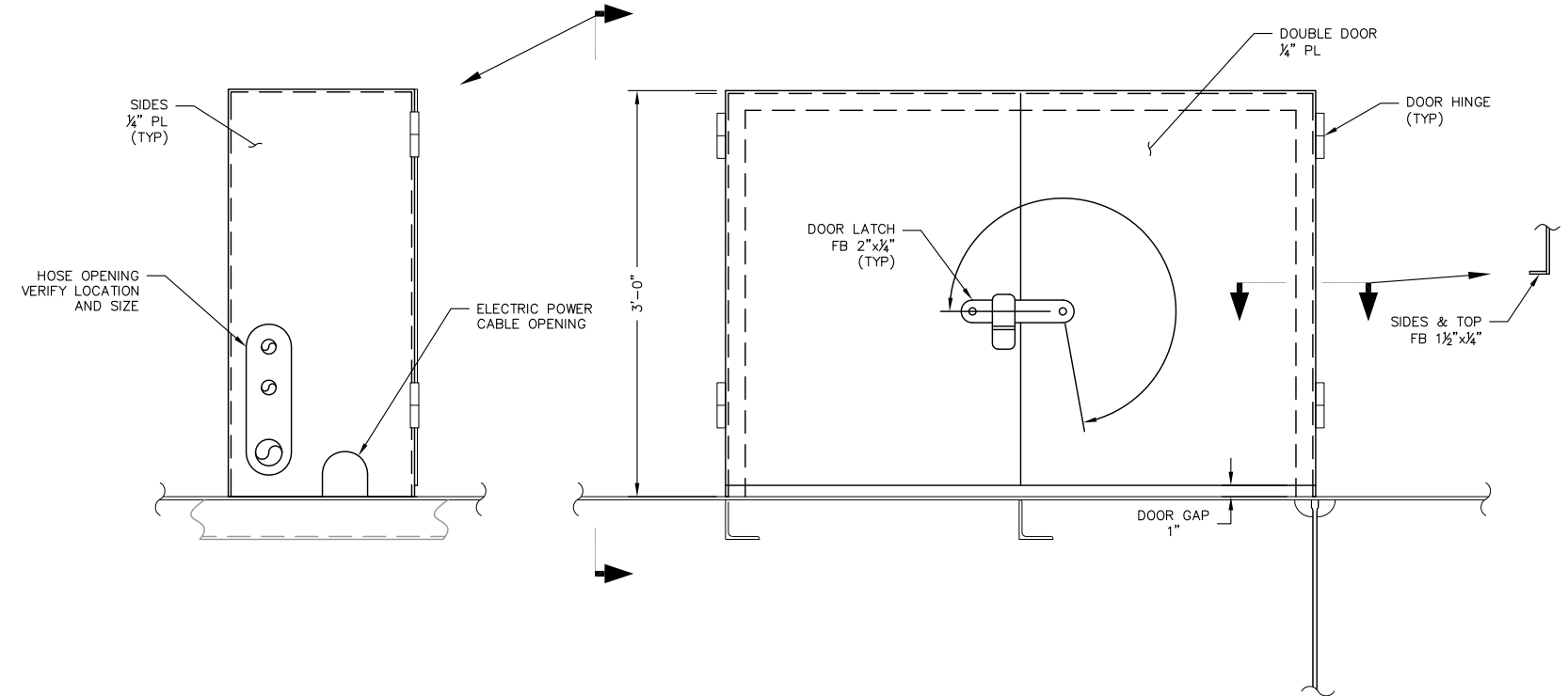
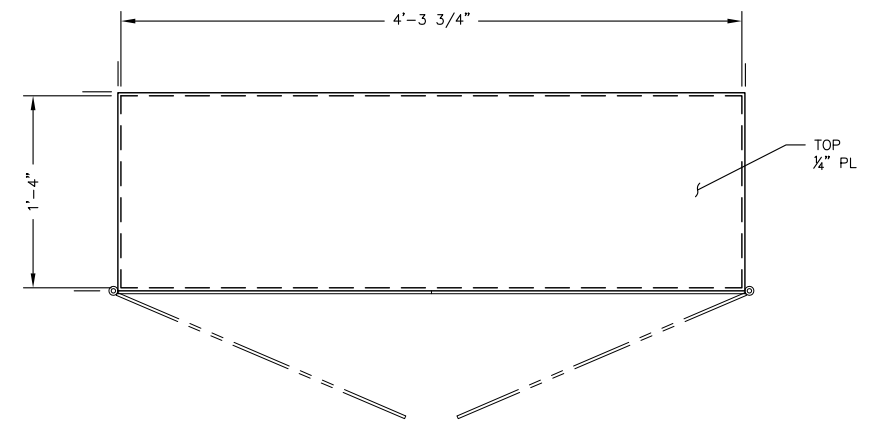
8 7 6 5 4 3 2 1

D

C

B

A



**DETAIL 4-5A**  
UTILITIES BOX  
1 1/2"=1'-0"

8 7 6 5 4 3 2 1

SCRIPPS INSTITUTION OF OCEANOGRAPHY SAN DIEGO, CALIFORNIA			
USCGC HEALY SCIENCE VAN UTILITIES UTILITIES BOX			
		INNOVATIVE MARINE SOLUTIONS	
1201 WESTERN AVENUE, SUITE 200 SEATTLE, WASHINGTON 98101-2953 T 206.624.7850		GLOSTEN.COM	
Drawn by IBS	Checked by SAC	Approved by TLF	Date 04/03/2015
Scale AS NOTED		Drawing Number 15022-505-01	Sheet 4 of 4
Revision -			

HALF SIZE PRINT

